

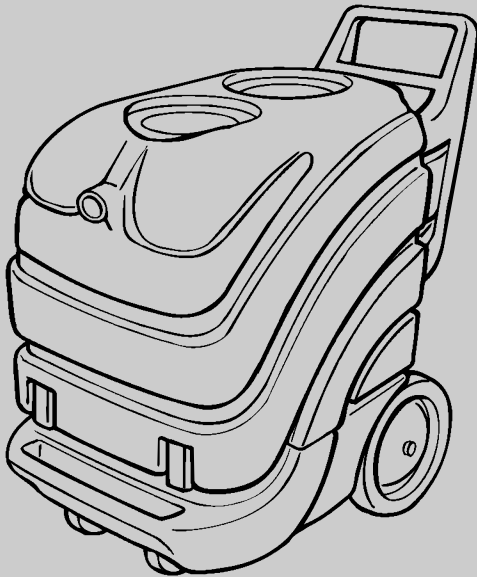
FLOOREQUIPMENT**PARTS.COM**



1160

**Carpet Extractor
Extractor Para Alfombras
Extracteur De Moquette**

**Operator and Parts Manual
Manual De Operador
Y Lista De Repuestos
Opérateur Manuel et
Liste Des Pièces**



Model Part No.:
607675 - 120V
607676 - 120V Pac
609611 - 120V CSA SI
613743 - 220V/60Hz
609690 - 240V EMC



OPERATION

This manual is furnished with each new model. It provides necessary operation and maintenance instructions and an illustrated parts list.

Read this manual completely and understand the machine before operating or servicing it.

When ordering replacement parts, use the illustrated parts lists section in this manual. Before ordering parts or supplies, be sure to have your machine model number and serial number available. Parts and supplies may be ordered by phone or mail from any authorized parts and service center, distributor or from any of the manufacturer's subsidiaries.

This machine will provide excellent service. However, the best results will be obtained at minimum costs if:

- The machine is operated with reasonable care.
- The machine is maintained regularly - per the machine maintenance instructions provided.
- The machine is maintained with manufacturer supplied or equivalent parts.


MACHINE DATA

Please fill out at time of installation for future reference.

Model No.- _____


Install. Date - _____

Serial No.- _____



PROTECT THE ENVIRONMENT

Please dispose of packaging materials, old machine components such as batteries, hazardous fluids such as antifreeze and oil, in a safe environmentally way according to your local waste disposal regulations.



Always remember to recycle.

Tennant Company

PO Box 1452

Minneapolis, MN 55440

Phone: (800) 553-8033 or (763) 513-2850

www.tennantco.com

©1999, 2000, 2004, 2007 Tennant Company. All rights reserved.

Printed in U.S.A.

TABLE OF CONTENTS	(ESPAÑOL....15)	(FRANÇAIS....31)	
SAFETY PRECAUTIONS	4	SPECIFICATIONS	13
GROUNDING INSTRUCTIONS	5	MACHINE DIMENSIONS	14
SAFETY LABEL	5	ELECTRICAL DIAGRAMS	45
MACHINE COMPONENTS	6	PARTS LIST	46
MACHINE SETUP	7	UPPER HOUSING GROUP	46
OPERATING FLOOR TOOL	8	LOWER HOUSING GROUP	48
OPERATING HAND TOOL	8	HANDLE GROUP	50
DRAINING TANKS	9	PLUMBING GROUP	52
DRAINING RECOVERY TANK	9	PUMP BREAKDOWN	54
DRAINING SOLUTION TANK	9	OPTIONS	55
MACHINE MAINTENANCE	9	HAND TOOL, 5 in / 127 mm	55
DAILY MAINTENANCE	10	CREVICE TOOL, 3 in / 76 mm	55
WEEKLY MAINTENANCE	10	HAND TOOL, UPHOLSTERY, HIGH	
MONTHLY MAINTENANCE	10	PRESSURE	56
QUARTERLY MAINTENANCE	11	SOLUTION AND VACUUM HOSES	
STORING MACHINE	11	GROUP	57
RECOMMENDED STOCK ITEMS	11	FLOOR TOOL, HIGH PRESSURE,	
TROUBLE SHOOTING	12	13 in / 330 mm	58
		FLOOR TOOL, HIGH PRESSURE	
		16 in / 406 mm	60


OPERATION

SAFETY PRECAUTIONS

This machine is intended for commercial use. It is designed to clean carpet and upholstery in an indoor environment and is not constructed for any other use. Use only recommended accessory tools and commercially available carpet cleaners intended for machine application.

All operators must read, understand and practice the following safety precautions.

The following warning alert symbol and the "FOR SAFETY" heading are used throughout this manual as indicated in their description:

 **WARNING:** To warn of hazards or unsafe practices which could result in severe personal injury or death.

FOR SAFETY: To identify actions which must be followed for safe operation of equipment.

Failure to follow these warnings may result in: personal injury, electrocution, electrical shock, fire or explosion.

 **WARNING:** Do Not Use Flammable Liquids Or Operate Machine In Or Near Flammable Liquids, Vapors Or Combustible Dusts.

This machine is not equipped with explosion proof motors. The electric motors will spark upon start up and during operation which could cause a flash fire or explosion if machine is used in an area where flammable vapors/liquids or combustible dusts are present.

 **WARNING:** Do Not Pick Up Flammable Materials Or Reactive Metals.

 **WARNING:** Do Not Operate With Damaged Power Cord. Do Not Modify Plug. Unplug power Cord Before Servicing Machine.

If the supply cord is damaged or broken, it must be replaced by the manufacturer or it's service agent or a similarly qualified person in order to avoid a hazard.

 **WARNING:** Do Not Use Outdoors. Do Not Expose To Rain. Store Indoors.

The following information signals potentially dangerous conditions to the operator or equipment:

FOR SAFETY:

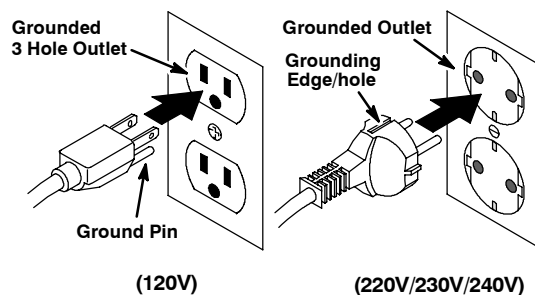
1. Do not operate machine:
 - With flammable liquids or near flammable vapors as an explosion or flash fire may occur.
 - Unless trained and authorized.
 - Unless operator manual is read and understood.
 - Unless cord is properly grounded.
 - With damaged cord or plug.
 - If not in proper operating condition.
 - In outdoor areas.
 - In standing water.
 - With the use of an extension cord (220/230/240V models).
 - With the use of additional extension cords. Only use manufacturer's extension cord equipped with machine which has proper capacity and is grounded (120V model).
2. Before operating machine:
 - Make sure all safety devices are in place and operate properly.
 - Place wet floor signs as needed.
3. When using machine:
 - Do not run machine over cord.
 - Do not pull machine by plug or cord.
 - Do not pull cord around sharp edges or corners.
 - Do not unplug by pulling on cord.
 - Do not stretch cord.
 - Do not handle plug with wet hands.
 - Keep cord away from heated surfaces.
 - Report machine damage or faulty operation immediately.
 - Follow mixing and handling instructions on chemical containers
 - Never allow children to play on or around.
4. Before leaving or servicing machine:
 - Turn off machine.
 - Unplug cord from wall outlet.
5. When servicing machine:
 - Unplug cord from wall outlet.
 - Avoid moving parts. Do not wear loose jackets, shirts, or sleeves.
 - Use manufacturer supplied or approved replacement parts.
 - All repairs must be performed by a qualified service person.
 - Do not modify the machine from its original design.

6. When transporting machine:

- Get assistance when lifting machine.
- Unplug cord from wall outlet.
- Use tie-down straps to secure machine to truck or trailer.

GROUNDING INSTRUCTIONS

Machine must be grounded. If it should malfunction or breakdown, grounding provides a path of least resistance for electrical current to reduce the risk of electrical shock. This machine is equipped with a cord having an equipment-grounding conductor and grounding plug. The plug must be plugged into an appropriate outlet that is properly installed in accordance with all local codes and ordinances. Do not remove ground pin; if missing, replace plug before use.



SAFETY LABEL

The safety label appears on the machine in the location indicated. Replace label if it becomes damaged or illegible.



WARNING LABEL -

Located on back side of machine.

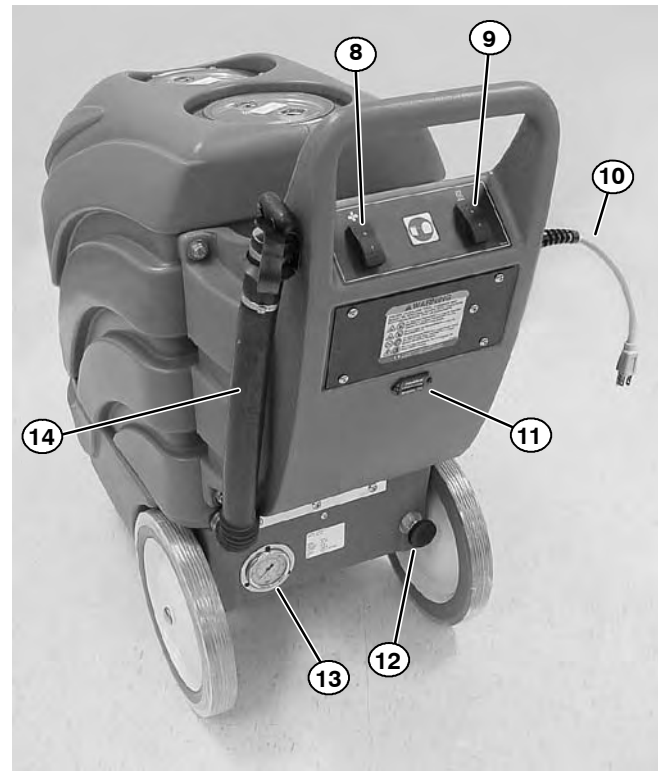
⚠ WARNING	
EXPLOSION, FIRE AND SHOCK HAZARD. AVOID INJURY. <ul style="list-style-type: none"> • Do Not Use or Pick Up Flammable Materials. • Do Not Use Near Flammable Liquids, Vapors or Combustible Dusts. • Do Not Operate With Damaged Power Cord. Do Not Modify Plug. Unplug Power Cord Before Servicing Machine. • Do Not Use Outdoors. Do Not Expose to Rain. Store Indoors. 	
⚠ AVERTISSEMENT	
RISQUE D'EXPLOSION, D'INCENDIE ET DE DÉCHARGE. EVITEZ LES BLESSURES. <ul style="list-style-type: none"> • N'utilisez Pas ou Ne Ramassez Pas de Matériaux Inflammables. • N'utilisez Pas Près de Liquides, Vapeurs ou Poussières Inflammables. • N'utilisez Pas la Machine Avec un Cordon d'Alimentation Endommagé. Ne Modifiez Pas la Prise. Débranchez le Cordon d'Alimentation Avant d'Entretien la Machine. • N'utilisez Pas en Extérieur. N'Exposez Pas à la Pluie. Entrez à l'Intérieur. 	
⚠ ADVERTENCIA	
PELIGRO DE EXPLOSIÓN, FUEGO, DESCARGA EVITE LESIONES. <ul style="list-style-type: none"> • No Use Ó Recoja Materiales Flammables. • No Use Cerca De Líquidos Flammables, Vapores Ó Materiales Combustibles. • No Use Con Cable De Corriente Dañado. No Altere El Enchufe. Desconecte Cable De Corriente Antes Del Mantenimiento. • No Use Al Aire Libre. No Exponga A La Lluvia. Guarde Bajo Techo. 	
1626384	

OPERATION

MACHINE COMPONENTS



1. Recovery Tank
2. Solution Tank
3. Accessory Tool Vacuum Hose Hookup
4. Latches
5. Accessory Tool Solution Hose Quick Coupler
6. Casters
7. 305 mm (12 in) Stair Climbing Wheels



8. Vacuum ON/OFF Switch
9. Pump ON/OFF Switch
10. Power Supply Cord Pigtail (120V Model)
11. Hour Meter
12. Pressure Control Valve
13. Pressure Gauge
14. Recovery Tank Drain Hose

MACHINE SETUP

- Carefully check carton for signs of damage. Report damages at once to carrier. The machine is shipped fully assembled and is ready for use.
- Unscrew and remove solution tank lid. Using a hose or bucket, fill tank with 57 l (15 gal) of hot water, 60°C (140°F) maximum (Figure 1).

ATTENTION: Use different buckets to fill and drain machine to prevent solution system clogs.



FIG. 1

⚠ WARNING: Do Not Use Flammable Liquids Or Operate Machine In Or Near Flammable Liquids, Vapors Or Combustible Dusts.

- Add a recommended cleaning solution to the proper dilution ratio.

FOR SAFETY: When using machine, follow mixing and handling instructions on chemical containers.

ATTENTION: If using powdered cleaning chemicals, mix chemical with water prior to adding to the tank.

NOTE: If desired, water alone achieves excellent cleaning results.

- Replace solution tank lid after filling.
- Plug machine's power cord into a grounded wall outlet (Figure 2).

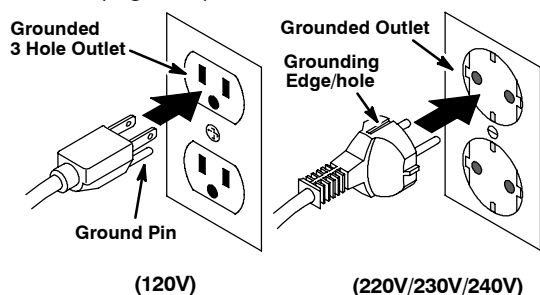


FIG. 2

FOR SAFETY: Do not operate machine unless cord is properly grounded.

FOR SAFETY: (120V model) Do not operate machine with the use of additional extension cords. Only use manufacturer's extension cord equipped with machine which has proper capacity and is grounded.

FOR SAFETY: (220/230/240V models) Do not operate machine with the use of an extension cord.

- Prime solution pump:
 - Connect bleeder hose onto solution hose quick coupler located at front of extractor.
 - Submerge other end of bleeder hose back into solution tank (Figure 3).
 - Open rear pressure control valve completely (turn knob counterclockwise) then turn pump switch on. As pump runs, air bubbles should dissipate in solution (Figure 3).
 - Close pressure control valve completely by turning knob clockwise and allow pump to continue running.
 - Now attach accessory tool. If properly primed, pressure should read 15.65-17.22 bar (200-220 psi).

NOTE: Whenever extractor runs out of solution while operating, you must always prime pump before operating.



FIG. 3

- Attach vacuum and solution hoses to front of machine, then to floor or hand tool (Figure 4).



FIG. 4

OPERATION

OPERATING FLOOR TOOL

FOR SAFETY: Do not operate machine unless operator manual is read and understood.

NOTE: Vacuum carpet before cleaning.

1. Activate vacuum and pump switches.
2. Place floor tool so bottom of glide plate or stainless steel shoes are parallel to floor. Squeeze trigger and apply downward pressure on floor tool head and slowly pull tool backwards using both hands. Release trigger 150 mm (6 in) from end of stroke (Figure 5).

⚠ WARNING: Do Not Pick Up Flammable Materials Or Reactive Metals.



FIG. 5

3. Push floor tool forward over same path with trigger released when returning for next stroke. Continue this pull and push method with a slight overlap of each stroke.

NOTE: For heavily soiled areas, repeat stroke or change angle of stroke.

4. Check for excessive foam buildup in recovery tank. Use a recommended foam control solution to prevent vacuum motor damage.

ATTENTION: Excessive foam buildup will not activate the float shut-off screen. Vacuum motor damage may result.

5. When finished cleaning, turn off switches and drain recovery tank (See DRAINING RECOVERY TANK).
6. After cleaning, relieve water pressure from accessory tool before disconnecting hose. Squeeze trigger for five seconds after turning off the machine.

OPERATING HAND TOOL

Optional accessory tool is required.

FOR SAFETY: Do not operate machine unless operator manual is read and understood.

NOTE: This machine cleans most synthetic upholstery very well. Fabrics like Herculon and synthetic velvets will clean with excellent results. Extraction is not recommended for most cottons, silks, wools or natural fiber velvets. Check cleaning instructions sewn in furniture by manufacturer for further instructions. Extra caution should be taken with furniture that has been re-upholstered. Any material under new upholstery may bleed and discolor new fabric.

NOTE: Vacuum upholstery before cleaning.

1. **TEST FABRIC FOR COLORFASTNESS:** Pour a small amount of cleaning solution on a white cloth. Hold damp portion of cloth against an area of upholstery which is hidden from view. Hold it there for 60 seconds. If no color transfers to cloth, it should be safe to clean. However, always use your best judgement.
2. Activate vacuum and pump switches.
3. Adjust pressure valve knob to read 2.3 bar (30 psi) on pressure gauge (Figure 6).



FIG. 6

4. Place hand tool on fabric and squeeze trigger while applying pressure on fabric and slowly pull tool backwards. Be careful not to over wet upholstery. Repeat stroke without spray to get fabric as dry as possible. Overlap cleaning strokes to avoid streaking (Figure 7).



FIG. 7

⚠ WARNING: Do Not Pick Up Flammable Materials Or Reactive Metals.

ATTENTION: Do not allow water or foam to enter float shut-off screen in recovery tank.

5. When finished cleaning, turn off switches and drain recovery tank (See DRAINING RECOVERY TANK).
6. After cleaning, relieve water pressure from accessory tool before disconnecting hose. Squeeze trigger for five seconds after turning off the machine.

DRAINING TANKS

FOR SAFETY: Before leaving or servicing machine, unplug cord from wall outlet.

ATTENTION: Use different buckets to fill and drain machine to prevent solution system clogs.

DRAINING RECOVERY TANK

NOTE: When solution tank becomes empty, recovery tank must be drained.

1. Turn switches off and unplug power cord.
2. Remove drain hose from holder, position hose over floor drain and twist off knob to drain (Figure 8).



FIG. 8

3. Replace knob tightly before cleaning again.
4. After final draining, remove recovery tank lid and rinse both tank and float shut-off screen thoroughly to prevent odor buildup (Figure 11).

DRAINING SOLUTION TANK

1. To drain remaining solution from solution tank, disconnect solution hose and attach bleeder hose (bleeder hose supplied with machine) (Figure 9).

ATTENTION: Relieve water pressure from accessory tool before disconnecting hose. Squeeze trigger for five seconds after turning off the main power switch.

2. Activate pump switch. Pump solution into an empty bucket (Figure 9).



FIG. 9

3. Rinse solution tank with clean water to prevent odor buildup. Run vacuum motor for 30 seconds to discharge any moisture. Store extractor with covers off to promote air circulation.

MACHINE MAINTENANCE

To keep machine in good working condition, simply follow machines daily, weekly and monthly maintenance procedures.

FOR SAFETY: When servicing machine, unplug cord from wall outlet.

For ease of servicing, machine tank is hinged to pivot away from chassis to allow access to inner components. Make sure tanks are empty before opening. To open extractor for servicing, follow these steps:

- a. Unplug extractor.
- b. Unlatch front two latches.
- c. Lift tank upward, away from chassis (Figure 10).



FIG. 10

OPERATION

DAILY MAINTENANCE (Every 4 Hours of Use)

1. Clean machine with a nonabrasive, nonsolvent cleaner.
2. Drain and rinse tanks thoroughly.
3. Remove any lint buildup from float shut-off screen (Figure 11).



FIG. 11

4. Remove and rinse solution tank screen (Figure 12).



FIG. 12

5. Inspect power cord for damage. Replace if damaged. Coil cord neatly after each use.
6. Remove any lodged debris from floor tool.
7. Check spray pattern for clogged spray tips.

WEEKLY MAINTENANCE (Every 20 Hours of Use)

1. Check floor tool for loose shoes. If loose, tap back in place with rubber mallet.
2. Inspect vacuum hose for holes and loose cuffs.

MONTHLY MAINTENANCE (Every 80 Hours of Use)

1. Inspect cord grip for damage. Replace if damaged. Coil cord neatly after each use.
2. Inspect tank for cracks.
3. Lubricate casters with a water resistance grease.
4. Remove spray tips from floor and hand tools and soak in an acetic acid solution.

NOTE: Do not use pins, paper clips, etc. to unplug spray tips. This will damage spray tips.

5. Flush pump system. Use acetic acid solution to dissolve normal alkaline chemical buildup. Follow these steps:

FOR SAFETY: When using machine, follow mixing and handling instructions on chemical containers.

- a. Premix .5 l (16 oz) of an acetic acid solution with 7.5 l (2 gal) of hot water 60° C (140° F) and pour into solution tank.
 - b. Place a bucket under spray tips to catch spray.
 - c. Turn on pump switch.
 - d. Squeeze trigger on tool for 30 seconds.
 - e. Allow solution to remain in system for up to 6 hours in above freezing temperatures.
 - f. Later, spray out acetic acid solution into a drain. Then run 11.4 l (3 gal) of clean water through system to flush out impurities.
6. Grease pump: Solution pump must be greased every 40 hours of operation or monthly, whichever comes first. Refer to hour meter located below handle of machine to help you determine when greasing is necessary. Each new machine is supplied with a grease gun (grease gun part number 190022).
 - a. To grease pump, release latches on front of machine and lift tank to access pump.
 - b. Remove safety cover from pump by pinching tabs and pulling straight off. You will also need to remove black 1-inch plug from front of chassis (Figure 13).



FIG. 13

- c. Insert grease gun through plug hole (front of chassis) and onto grease fitting, pump plunger at most 1 to 2 times. Gun only pumps grease at last 19 mm (0.75 in) of plunger travel. Be sure to push plunger all the way down! Do this slowly to allow grease to enter bearing (Figure 14).

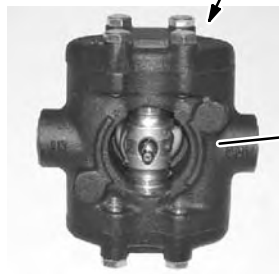
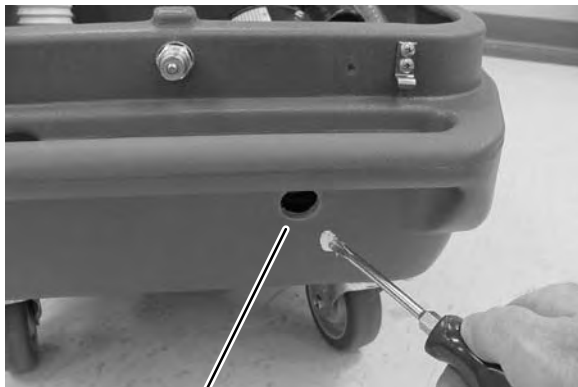
ATTENTION: Over greasing pump will damage seals.

ATTENTION: Do not use an air powered or hand lever grease gun, they will damage pump.

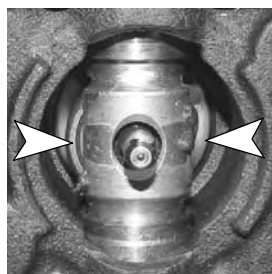


FIG. 14

- d. With a screwdriver, apply a generous dab of grease to outer diameter of cam bearing at top and bottom where bearing contacts connecting rod (Figure 15).



Front View of Pump



Apply Grease to These 2 Bearing Surfaces

FIG. 15

- e. Replace grease cover and black plug.

- f. Check pump periodically and scrape out (do not wash out) any excess grease from pump cavity.

QUARTERLY MAINTENANCE (Every 250 Hours of Use)

Inspect motors for carbon brush wear. Replace brushes when worn to a length of 10 mm (0.38 in.) or less. Contact an Authorized Service Center for carbon brush inspection.

ATTENTION: Contact an Authorized Service Center for machine repairs. Machine repairs performed by other than an authorized person will void the warranty.

STORING MACHINE

1. Before storing machine, be certain to flush out tanks and drain machine of all water.
2. Store machine in a dry area in the upright position.
3. Remove clear lids to promote air circulation.

⚠ WARNING: Do Not Use Outdoors. Do Not Expose To Rain. Store Indoors.

ATTENTION: If storing machine in freezing temperatures, be sure that machine and solution system are completely drained and dry.

RECOMMENDED STOCK ITEMS

Refer to the Parts List section for recommended stock items. Stock Items are clearly identified with a bullet preceding the parts description. See example below:

Ref.	Part No.	Description	Qty.
1	701193	ARM, STANDPIPE	1
2	180612	● FLOAT, SHUTOFF	1
3	230197	NIPPLE	1
4	101714	● GASKET	1
5	210240	NUT, FLANGED	1

OPERATION

TROUBLE SHOOTING

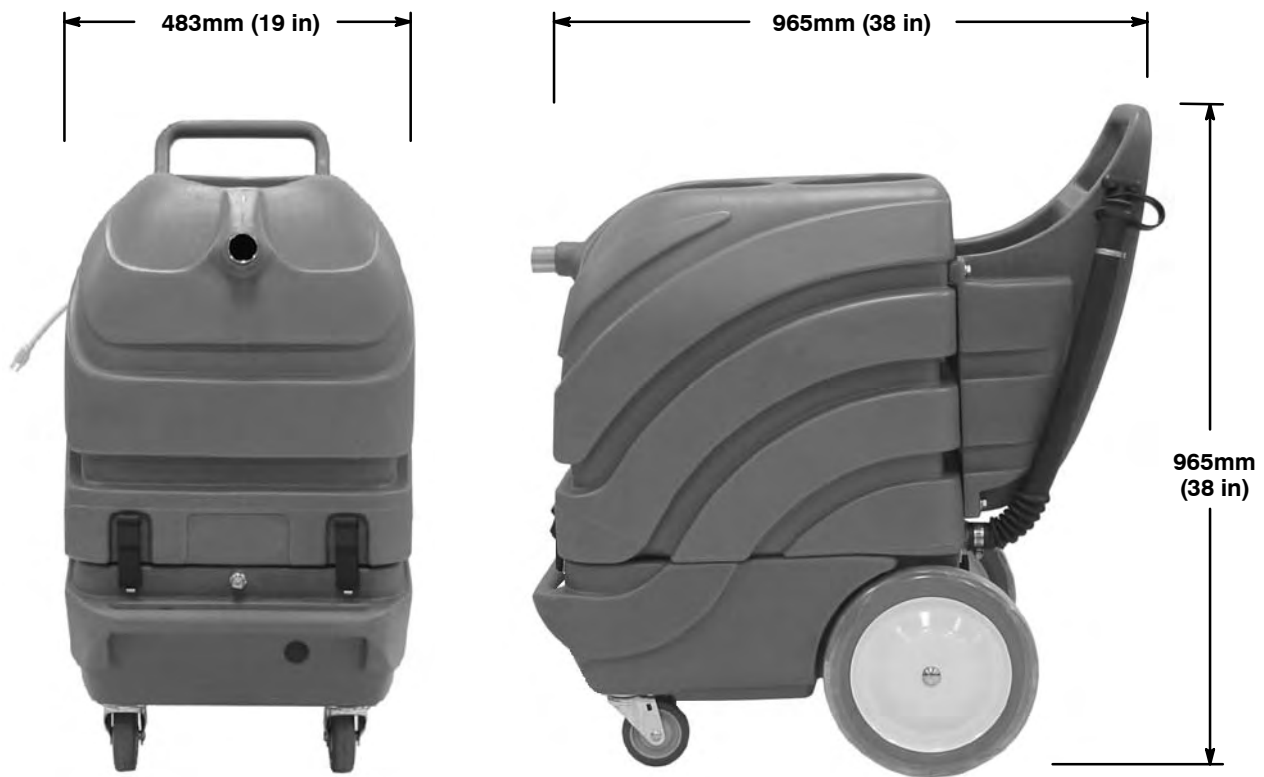
PROBLEM	CAUSE	SOLUTION
Uneven or no spray from tips.	Dirty or plugged spray tips.	Clean or replace tips.
	Improper spray tip size or spray angle.	Replace with proper tips. Also check alignment of spray tips so all tips spray in a straight line.
	Worn spray tips.	Replace spray tips.
	Pump switch off.	Turn the pump switch on.
	Solution hose not connected.	Make sure solution hose is connected.
Leaking floor tool.	Quick coupler on floor tool faulty.	Replace quick coupler.
	Flow control valve leaking.	Contact Service Center.
	Hose split or fittings loose.	Replace hose and tighten fittings.
	Solution hose connection not fully engaged.	Reconnect quick coupler.
	Pressure control valve stem worn.	Contact Service Center.
Solution pump will not operate.	Fuse blown or circuit breaker tripped in building.	Replace fuse or reset breaker in building.
	Faulty pump switch.	Contact Service Center.
	Loose wiring to solution pump.	Contact Service Center.
	Faulty solution pump motor.	Contact Service Center.
	Thermal overload activated - motor is too hot and will automatically shut down until cool.	Let motor cool and check what caused overheat.
	Solution pump bearing freezes up, caused by not greasing.	Contact Service Center.
Poor or no vacuum suction.	Fuse blown or circuit breaker tripped in building.	Replace fuse or reset breaker in building.
	Faulty vacuum switch.	Contact Service Center.
	Drain hose plug open or loose.	Plug drain hose and tighten knob.
	Lint is clogging float shut-off screen.	Remove recovery cover and clean lint off screen.
	Air is leaking around clear cover lids.	Tighten tank lids.
	Vacuum hose is loose.	Push hose firmly onto recovery tool and onto front of extractor.
	Holes in vacuum hose or hose cuffs loose on the hose.	Replace hose or thread cuffs securely onto hose.
	Faulty vacuum motor.	Contact Service Center.
	Faulty vacuum gasket.	Replace gasket.
	Float shut-off screen activated.	Turn off vacuum, empty tank.

SPECIFICATIONS

MODEL	1160 (120V)	1160 (220V / 230V / 240V)
LENGTH	965 mm (38 in)	965 mm (38 in)
WIDTH	483 mm (19 in)	483 mm (19 in)
HEIGHT	965 mm (38 in)	965 mm (38 in)
WEIGHT	58.9 kg (130 lb)	58.9 kg (130 lb)
SOLUTION TANK CAPACITY	56.7 l (15 gal)	56.7 l (15 gal)
RECOVERY TANK CAPACITY	71.9 l (19 gal)	71.9 l (19 gal)
SOLUTION PUMP	5 A, 120V, 9.0L per min. (2.4 gpm) 0-17.22 bar (0-220 psi)	2.5 A, 230V, 9.0L per min. (2.4 gpm) 0-17.22 bar (0-220 psi)
VACUUM MOTOR	10 A, 2.5 hp. 120V, 1200 watts	6.8 A, 2.5 hp. 240V, 1632 watts
SEALED WATER LIFT	340.3 cm (134 in.)	327.6 cm (129 in)
DECIBEL RATING AT OPERATOR'S EAR, INDOORS ON CARPET	81dB(A)	81dB(A)

OPERATION

MACHINE DIMENSIONS



Este manual se incluye en todos los modelos nuevos. Proporciona la información necesaria para su utilización y mantenimiento.

Lea todo el manual detenidamente para comprender la máquina antes de utilizarla o revisarla.

Use la Lista de Piezas incluida en este manual al ordenar piezas de repuesto. Antes de ordenar piezas o suministros, asegúrese de tener el número de modelo y el número de serie de su máquina. Las piezas y los suministros pueden ordenarse por teléfono o por correo de cualquier centro autorizado de piezas y servicios, distribuidor de piezas o de cualquier subsidiaria del fabricante.

Esta máquina proporcionará un servicio excelente. Sin embargo, los mejores resultados se obtienen a un costo mínimo si:

- La máquina se opera con un cuidado razonable.
- La máquina se mantiene con regularidad, según las instrucciones de mantenimiento provistas.
- La máquina se mantiene con las piezas provistas por el fabricante o equivalentes.

DATOS DE LA MÁQUINA

Por favor complete al momento de la instalación para referencia futura.

No. de Modelo- _____

Fecha de instalación - _____

No. de Serie- _____

PROTECCIÓN DEL MEDIO AMBIENTE



Deseche el material de embalaje, los componentes usados de la máquina como las baterías y los líquidos peligrosos como el anticongelante y el aceite, de forma segura para el medio ambiente, de acuerdo con las normativas o disposiciones locales.



No olvide reciclar.

OPERACIÓN

INDICE

MEDIDAS DE SEGURIDAD	17	LOCALIZACIÓN DE AVERÍAS	28
INSTRUCCIONES PARA REALIZAR LA TOMA DE TIERRA	19	ESPECIFICACIONES	29
ADHESIVO DE SEGURIDAD	19	DIMENSIONES DE LA MÁQUINA	30
COMPONENTES DE LA MÁQUINA	20	DIAGRAMAS ELECTRICA	45
INSTALACIÓN DE LA MÁQUINA	21	LISTA DE PIEZAS	46
UTILIZACIÓN DEL ACCESORIO PARA EL SUELO	22	GRUPO DEL BASTIDOR SUPERIOR	46
UTILIZACIÓN DEL ACCESORIO MANUAL	23	GRUPO DEL BASTIDOR INFERIOR	48
VACIADO DE LOS DEPÓSITOS	24	GRUPO DEL MANGO	50
VACIADO DEL DEPÓSITO DE RECUPERACIÓN	24	GRUPO DE TUBERÍAS	52
VACIADO DEL DEPÓSITO DE DISOLUCIÓN	24	CLASIFICCIÓN DE LA BOMBA	54
MANTENIMIENTO DE LA MÁQUINA	24	OPCIONES	55
MANTENIMIENTO DIARIO	25	HERRAMIENTA MANUAL, 5 in / 127 mm ...	55
MANTENIMIENTO SEMANAL	25	HERRAMIENTA MANUAL, HENDIDURAS, 3 in / 76 mm	55
MANTENIMIENTO MENSUAL	25	HERRAMIENTA MANUAL, ALTA PRESION .	56
MANTENIMIENTO TRIMESTRAL	26	MANGUERAS DE DISOLUCIÓN Y ASPIRACIÓN	57
ALMACENAMIENTO DE LA MÁQUINA	27	HERRAMIENTA DE PISO, ALTA PRESION, 13 in / 330 mm	58
STOCK RECOMENDADO DE REPUESTOS ...	27	HERRAMIENTA DE PISO, ALTA PRESION 16 in / 406 mm	60

MEDIDAS DE SEGURIDAD

Esta máquina está destinada al uso comercial. Está diseñada para limpiar moquetas y tapicerías en interiores y no es adecuada para ningún otro uso. Utilice únicamente los accesorios y productos limpiadores para moquetas específicos para máquinas disponibles en el mercado.

Todos los operarios deben leer, comprender y cumplir las siguientes medidas de seguridad:

A lo largo de todo el manual se utilizan los siguientes símbolos de advertencia y encabezados "PARA SU SEGURIDAD" descritos a continuación:

⚠ ADVERTENCIA: Advierte sobre riesgos o prácticas inseguras que podrían provocar lesiones personales graves o fatales.

PARA SU SEGURIDAD: Identifica las operaciones que debe realizar para una utilización segura del equipo.

El no cumplimiento de estas advertencias podría provocar: lesiones personales, riesgo de electrocución y descargas eléctricas, incendios o explosiones.

⚠ ADVERTENCIA: No utilice líquidos inflamables ni haga funcionar la máquina en las proximidades de líquidos, vapores o polvos inflamables.

La máquina no está equipada con motores a prueba de explosiones. Los motores eléctricos producirán chispas tanto durante el arranque como durante su utilización que pueden provocar incendios o explosiones si utiliza la máquina en presencia de líquidos o vapores inflamables o partículas combustibles.

⚠ ADVERTENCIA: NO recoja materiales inflamables ni metales reactivos.

⚠ ADVERTENCIA: No utilice la máquina si el cable eléctrico está deteriorado. No modifique el enchufe. Desconecte el cable eléctrico antes de realizar operaciones de mantenimiento en la máquina.

Si el cable eléctrico está deteriorado o roto, deberá ser sustituido por el fabricante, el servicio técnico del fabricante u otra persona cualificada para evitar riesgos.

⚠ ADVERTENCIA: No utilice la máquina al aire libre. No exponga la máquina a la lluvia. Guárdela en un lugar cerrado.

La siguiente información indica las condiciones potencialmente peligrosas para el operario o equipo.

PARA SU SEGURIDAD:

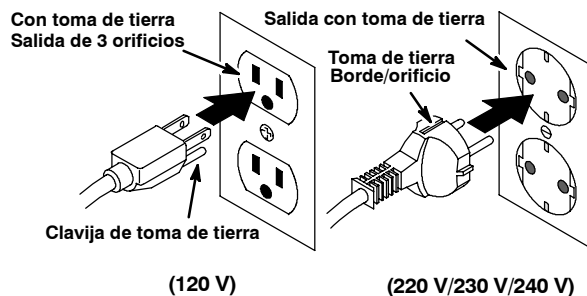
1. No utilice la máquina:
 - Con líquidos inflamables o cerca de gases inflamables, ya que podría provocar explosiones o llamaradas.
 - A no ser que esté debidamente formado y autorizado.
 - Salvo haber leído y comprendido el manual del operario.
 - Salvo que el cable esté conectado a una toma de tierra que funcione correctamente.
 - Con un cable o enchufe en malas condiciones.
 - Si la máquina no funciona correctamente.
 - En exteriores.
 - Donde exista agua encharcada.
 - Con un alargador (modelos de 220/230/240 V).
 - Con cables alargadores adicionales. Utilice únicamente los alargadores proporcionados por el fabricante junto a la máquina para asegurarse de que presentan la capacidad y toma de tierra adecuadas (modelo de 120 V).
2. Antes de utilizar la máquina:
 - Asegúrese de que todos los dispositivos de seguridad se encuentren en su lugar y funcionen correctamente.
 - Coloque indicaciones de suelo mojado si lo considera necesario.
3. Al utilizar la máquina:
 - No permita que la máquina se desplace sobre el cable.
 - No tire del cable ni del enchufe para desplazar la máquina.
 - Evite pasar el cable por aristas o esquinas.
 - No desenchufe la máquina tirando del cable.
 - No estire demasiado el cable.
 - No toque el enchufe con las manos mojadas.
 - Mantenga el cable alejado de superficies calientes.
 - Informe inmediatamente de las averías de la máquina o del mal funcionamiento de la misma.
 - Siga las instrucciones de mezcla y manipulación indicadas en los envases de los productos químicos.
 - No permita nunca que los niños jueguen encima o alrededor de la máquina.

OPERACIÓN

4. **Antes de dejar o realizar operaciones de mantenimiento en la máquina:**
 - **Apague la máquina.**
 - **Desconecte el cable del enchufe de la pared.**
5. **Cuando realice operaciones de mantenimiento:**
 - **Desconecte el cable del enchufe de la pared.**
 - **Evite las partes en movimiento. No utilice chaquetas, camisas o mangas sueltas.**
 - **Utilice repuestos suministrados o aprobados por el fabricante.**
 - **Todas las reparaciones deben ser realizadas por personal técnico cualificado.**
 - **No modifique el diseño original de la máquina.**
6. **Al transportar la máquina:**
 - **Pida ayuda para levantar la máquina.**
 - **Desconecte el cable del enchufe de la pared.**
 - **Utilice las cintas para fijar la máquina al camión o remolque.**

INSTRUCCIONES PARA REALIZAR LA TOMA DE TIERRA

La máquina debe estar conectada a una toma de tierra. En caso de funcionamiento incorrecto o avería de la máquina, la toma de tierra proporciona el camino de menor resistencia a la corriente eléctrica reduciendo de este modo el riesgo de descarga eléctrica. La máquina está equipada con un cable y enchufe con toma de tierra. Conecte el enchufe a una toma de pared adecuada e instalada de acuerdo con las normativas y ordenanzas locales. No retire la clavija de toma de tierra.



ADHESIVO DE SEGURIDAD

El adhesivo de seguridad se encuentra en la posición indicada a continuación. Sustituya el adhesivo deteriorado o ilegible.



ADHESIVO DE ADVERTENCIA – Situado en la parte trasera de la máquina.

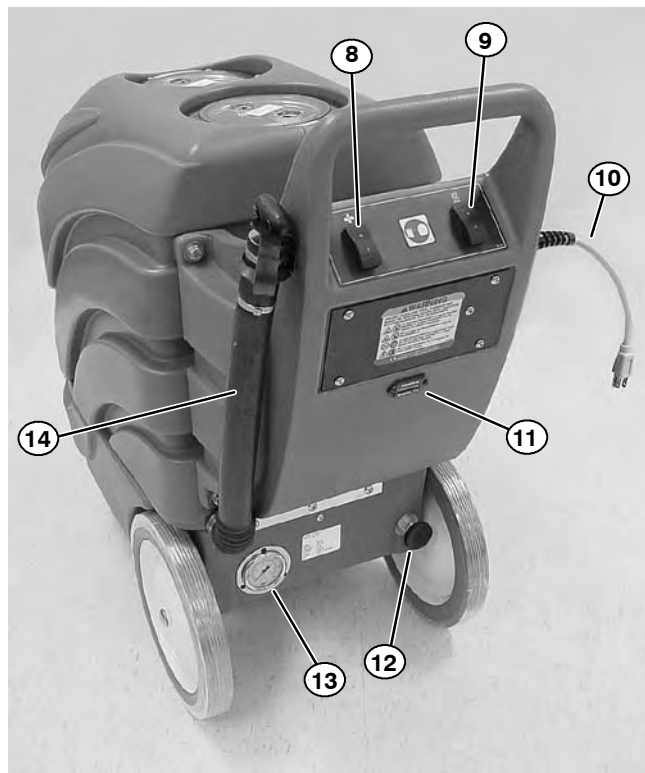
⚠ WARNING	
  	
EXPLOSION, FIRE AND SHOCK HAZARD. AVOID INJURY. • Do Not Use or Pick Up Flammable Materials. • Do Not Use Near Flammable Liquids, Vapors or Combustible Dusts. • Do Not Operate With Damaged Power Cord. Do Not Modify Plug. Unplug Power Cord Before Servicing Machine. • Do Not Use Outdoors. Do Not Expose to Rain. Store Indoors.	
⚠ AVERTISSEMENT	
RISQUE D'EXPLOSION, D'INCENDIE ET DE DÉCHARGE. ÉVITEZ LES BLESSURES. • N'utilisez Pas ou Ne Ramassez Pas de Matériaux Inflammables. • N'utilisez Pas Près de Liquides, Vapeurs ou Poussières Inflammables. • N'utilisez Pas la Machine Avec un Cordon d'Alimentation Endommagé. Ne Modifiez Pas la Prise. Débranchez le Cordon d'Alimentation Avant d'Entretenir la Machine. • N'utilisez Pas en Extérieur. N'Exposez Pas à la Pluie. Entrezposez à l'Intérieur.	
⚠ ADVERTENCIA	
PELIGRO DE EXPLOSIÓN, FUEGO, DESCARGA EVITE LESIONES. • No Use Ó Recoja Materiales Flamables. • No Use Cerca De Líquidos Flamables, Vapores Ó Materiales Combustibles. • No Use Con Cable De Corriente Dañado. No Altere El Enchufe. Desconecte Cable De Corriente Antes Del Mantenimiento. • No Use Al Aire Libre. No Exponga A La Lluvia. Guardé Bajo Techo.	
1020384	

OPERACIÓN

COMPONENTES DE LA MÁQUINA



1. Depósito de recuperación
2. Depósito de la disolución
3. Soporte de la manguera de aspiración del accesorio
4. Pestillos
5. Acoplamiento rápido de la manguera de la disolución del accesorio
6. Ruedecillas
7. Ruedas para subir escaleras 305 mm (12 in)



8. Interruptor de ENCENDIDO/APAGADO (ON/OFF) de la aspiración
9. Interruptor de ENCENDIDO/APAGADO (ON/OFF) de la bomba
10. Cable flexible de conexión (modelo de 120 V)
11. Contador de horas
12. Válvula de control de presión
13. Indicador de presión
14. Manguera de vaciado del depósito de recuperación

INSTALACIÓN DE LA MÁQUINA

1. Controle cuidadosamente si la caja presenta signos de deterioro. Si existieran desperfectos, informe inmediatamente al transportista. La máquina se entrega totalmente montada y lista para su utilización.
2. Afloje los tornillos y retire la tapa del depósito de la disolución. Con una manguera o un cubo, llene el depósito con 57 l (15 gal) de agua caliente, a un máximo de 60 °C (140°F) (Figura 16).

ATENCIÓN: Utilice cubos diferentes para llenar y vaciar la máquina y evitar que el sistema de la disolución se bloquee.



FIG. 16

⚠ ADVERTENCIA: No utilice líquidos inflamables ni haga funcionar la máquina en las proximidades de líquidos, vapores o polvos inflamables.

3. Añada la disolución limpiadora recomendada con la proporción de disolución correcta.

PARA SU SEGURIDAD: Siga las instrucciones de mezcla y manipulación indicadas en los envases de los productos químicos cuando utilice la máquina.

ATENCIÓN: Si utiliza productos químicos limpiadores en polvo, mézclelos con agua antes de añadirlos al depósito.

NOTA: Si lo desea, se consiguen excelentes resultados de limpieza con el uso sólo de agua.

4. Vuelva a instalar la tapa del depósito de la disolución después de la operación de llenado.

5. Conecte el cable eléctrico de la máquina en un enchufe de la pared con toma de tierra (Figura 17).

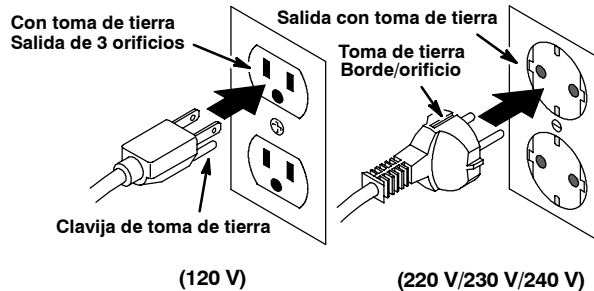


FIG. 17

PARA SU SEGURIDAD: No utilice la máquina salvo que el cable eléctrico esté conectado a una toma de tierra que funcione correctamente.

PARA SU SEGURIDAD: (Modelo de 120 V) No utilice la máquina con cables alargadores adicionales. Utilice únicamente el cable alargador incluido en la máquina para asegurarse de que la capacidad es la adecuada y que presenta toma de tierra.

PARA SU SEGURIDAD: (Modelos de 220/230/240 V) No utilice la máquina con un cable alargador adicional.

6. Ceba la bomba de la disolución:
 - a. Conecte la manguera de purga en el acoplamiento rápido de la manguera de la disolución situado en la parte delantera del aspirador.
 - b. Sumerja el otro extremo de la manguera de purga en el depósito de la disolución (Figura 18).

OPERACIÓN

- c. Abra totalmente la válvula de control de presión trasera (gire el mando en sentido contrario al de las agujas del reloj) y encienda el interruptor de la bomba. Durante el funcionamiento de la bomba, se disipan burbujas de aire en la disolución (Figura 18).
- d. Cierre totalmente la válvula de control de presión girando el mando en el sentido de las agujas del reloj y deje que la bomba siga en funcionamiento.
- e. Conecte ahora el accesorio. Si se ha cebado correctamente, la presión debe indicar 15.65-17.22 bar (200-220 psi).

NOTA: Cada vez que el aspirador se quede sin disolución durante su funcionamiento, se deberá siempre cebar la bomba antes de ponerlo en marcha.



FIG. 18

7. Conecte las mangueras de la disolución y aspiración a la parte delantera de la máquina y, a continuación, al accesorio manual o para el suelo (Figura 19).



FIG. 19

UTILIZACIÓN DEL ACCESORIO PARA EL SUELO

PARA SU SEGURIDAD: No utilice la máquina salvo que haya leído y comprendido el manual del operario.

NOTA: Pase el aspirador por la moqueta antes de limpiar.

1. Encienda los interruptores de la aspiración y la bomba.
2. Coloque el accesorio para el suelo de modo que la parte inferior de la placa de deslizamiento o zapatas de acero inoxidable queden paralelas al suelo. Apriete el accionador, presione hacia abajo el cabezal del accesorio para el suelo y tire lentamente del accesorio hacia atrás con ambas manos. Suelte el accionador cuando esté a 150 mm (6 in) del extremo de su recorrido (Figura 20).

⚠ ADVERTENCIA: NO recoja materiales inflamables ni metales reactivos.



FIG. 20

3. Empuje el accesorio para el suelo por el mismo recorrido sin apretar el accionador cuando vuelva para la siguiente pasada. Siga este método de tirar y empujar con un pequeño solapamiento en cada pasada.

NOTA: En zonas con mucha suciedad, repita las pasadas o cambie el ángulo del recorrido.

4. Controle si hay exceso de acumulación de espuma en el depósito de recuperación. Utilice una disolución recomendada para controlar la formación de espuma y evitar averías en el motor de aspiración.

ATENCIÓN: La excesiva acumulación de espuma no permitirá que se active el filtro del flotador de cierre se active. Esto podría causar la avería del motor de aspiración.

- Una vez finaliza la limpieza, apague los interruptores y vacíe el depósito de recuperación (consulte la sección VACIADO DEL DEPÓSITO DE RECUPERACIÓN).
- Después de la limpieza, reduzca la presión del agua del accesorio antes de desconectar la manguera. Apriete el accionador durante cinco segundos después de apagar la máquina.

UTILIZACIÓN DEL ACCESORIO MANUAL

Es necesario el accesorio opcional.

PARA SU SEGURIDAD: No utilice la máquina salvo que haya leído y comprendido el manual del operario.

NOTA: Esta máquina limpia perfectamente la mayoría de tapicería sintética. Se consiguen excelentes resultados de limpieza en telas como terciopelos Herculon y sintéticos. No se recomienda el aspirador en la mayoría de los tejidos de algodón, sedas, lanas o terciopelo de fibras naturales. Consulte las instrucciones del fabricante con respecto a la limpieza del mueble para obtener más información. Se debe prestar especial atención a los muebles a los que se haya cambiado el tapizado. Puede destintar cualquier material existente debajo de la nueva tapicería y manchar el nuevo tejido.

NOTA: Pase el aspirador por el tapizado antes de limpiar.

- PRUEBE EL TEJIDO PARA COMPROBAR LA SOLIDEZ DEL COLOR:** Vierta una pequeña cantidad de disolución limpiadora en un paño blanco. Presione la parte húmeda del paño contra una zona de la tapicería que no se encuentre a la vista. Sujételo en esa posición durante 60 segundos. Si el color no pasa al paño, debería ser seguro para la limpieza. No obstante, utilice siempre su criterio personal.
- Encienda los interruptores de la aspiración y la bomba.

- Ajuste el mando de la válvula de presión hasta que aparezca 2.3 bar (30 psi) en el indicador de presión (Figura 21).



FIG. 21

- Coloque el accesorio manual en el tejido y apriete el accionador mientras presiona sobre el tejido y tira lentamente del accesorio hacia atrás. Tenga cuidado de no humedecer demasiado la tapicería. Repita el recorrido sin pulverizar para que el tejido quede lo más seco posible. Haga que las pasadas de limpieza se superpongan para evitar la formación de marcas (Figura 22).



FIG. 22

⚠ ADVERTENCIA: NO recoja materiales inflamables ni metales reactivos.

ATENCIÓN: No deje que se introduzca agua o espuma en el filtro del flotador de cierre del depósito de recuperación.

- Una vez finaliza la limpieza, apague los interruptores y vacíe el depósito de recuperación (consulte la sección VACIADO DEL DEPÓSITO DE RECUPERACIÓN).
- Después de la limpieza, reduzca la presión del agua del accesorio antes de desconectar la manguera. Apriete el accionador durante cinco segundos después de apagar la máquina.

OPERACIÓN

VACIADO DE LOS DEPÓSITOS

PARA SU SEGURIDAD: Antes de abandonar o revisar la máquina, desconecte el cable del enchufe de la pared.

ATENCIÓN: Utilice cubos diferentes para llenar y vaciar la máquina y evitar que el sistema de la disolución se bloquee.

VACIADO DEL DEPÓSITO DE RECUPERACIÓN

NOTA: Cuando el depósito de la disolución queda vacío, se debe vaciar el depósito de recuperación.

1. Apague los interruptores y desenchufe el cable eléctrico.
2. Extraiga la manguera de vaciado de su soporte, sitúela sobre un desagüe del suelo y gire el mando para proceder al vaciado (Figura 23).



FIG. 23

3. Vuelva a colocar y apriete bien el mando antes de volver a limpiar.
4. Después de terminar el vaciado, retire la tapa del depósito de recuperación y aclare tanto el depósito como el filtro del flotador de cierre para evitar la acumulación de olores (Figura 26).

VACIADO DEL DEPÓSITO DE DISOLUCIÓN

1. Para vaciar la disolución restante del depósito de la disolución, retire la manguera de la disolución y conecte la manguera de purga (incluida con la máquina) (Figura 24).

ATENCIÓN: Reduzca la presión del agua del accesorio antes de desconectar la manguera. Apriete el mando durante cinco segundos después de apagar el interruptor principal.

2. Encienda el interruptor de la bomba. Bombee la disolución en un cubo vacío (Figura 24).



FIG. 24

3. Aclare el depósito de la disolución con agua limpia para evitar la acumulación de olores. Encienda el motor de aspiración durante 30 segundos para que se seque totalmente. Guarde el aspirador con las tapas abiertas para facilitar la circulación de aire.

MANTENIMIENTO DE LA MÁQUINA

Para mantener la máquina en buenas condiciones de funcionamiento bastará realizar las operaciones de mantenimiento diarias, semanales o mensuales indicadas.

PARA SU SEGURIDAD: Desenchufe la máquina antes de realizar operaciones de mantenimiento.

Para facilitar las tareas de mantenimiento, el depósito de la máquina se abre y separa del chasis para permitir el acceso a los componentes del interior. Asegúrese de que los depósitos estén vacíos antes de abrirlos. Para abrir el aspirador y realizar tareas de mantenimiento, siga estos pasos:

- a. Desenchufe el aspirador.
- b. Abra los dos pestillos de la parte delantera.
- c. Levante el depósito hacia arriba y sepárelo del chasis (Figura 25).



FIG. 25

MANTENIMIENTO DIARIO (Cada 4 horas de utilización)

1. Limpie la máquina con un limpiador no abrasivo que no contenga disolventes.
2. Vacíe y aclare bien los depósitos.
3. Retire las pelusas acumuladas en el filtro del flotador de cierre (Figura 26).



FIG. 26

4. Extraiga y aclare el filtro del depósito de la disolución (Figura 27).



FIG. 27

5. Compruebe si el cable eléctrico está deteriorado. Sustitúyalo si está dañado. Guarde el cable enrollado después de cada uso.
6. Retire los residuos del accesorio para el suelo.
7. Controle el patrón de pulverización para ver si hay boquillas de pulverización obstruidas.

MANTENIMIENTO SEMANAL (Cada 20 horas de utilización)

1. Controle si hay zapatas sueltas en el accesorio para el suelo. Si es así, ajústelas de nuevo en su sitio golpeándolas con una maza de goma.
2. Controle si la manguera de aspiración tiene orificios o conectores sueltos.

MANTENIMIENTO MENSUAL (Cada 80 horas de utilización)

1. Controle si el soporte del cable está deteriorado. Sustitúyalo si está dañado. Guarde el cable enrollado después de cada uso.
2. Controle si existen grietas en el depósito.
3. Lubrique las ruedecillas con grasa impermeable.
4. Extraiga de los accesorios manual y para el suelo las puntas de pulverización y sumérlas una solución de ácido acético.

NOTA: No utilice alfileres, clips, etc. para desbloquear las puntas de pulverización. Si lo hace, se dañarán las puntas.

5. Aclare el sistema de la bomba. Utilice una solución de ácido acético para disolver las acumulaciones normales de productos alcalinos. Siga estos pasos:

PARA SU SEGURIDAD: Siga las instrucciones de mezcla y manipulación indicadas en los envases de los productos químicos cuando utilice la máquina.

- a. Mezcle .5 l (16 oz) de una solución de ácido acético con 7.5 l (2 gal) de agua caliente a 60° C (140°F) y vierta la mezcla en el depósito de la disolución.
 - b. Coloque un cubo debajo de las puntas de pulverización para recoger el líquido pulverizado.
 - c. Encienda el interruptor de la bomba.
 - d. Apriete el accionador del accesorio durante 30 segundos.
 - e. Deje actuar la disolución en el sistema durante un máximo de 6 horas cuando la temperatura ambiente supere los 0°C.
 - f. Más tarde, vacíe la solución de ácido acético pulverizándolo en un desagüe. Haga circular 11.4 l (3 gal) de agua limpia a través del sistema para eliminar las impurezas.
6. Engrase la bomba: La bomba de la disolución debe engrasarse cada 40 horas de utilización o mensualmente, según lo que se alcance antes. Consulte el contador de horas situado debajo del soporte de la máquina para determinar cuándo es necesario realizar la tarea de engrase. Todas las máquinas nuevas incluyen una pistola de engrase (nº de pieza 190022).
 - a. Para engrasar la bomba, abra los pestillos de la parte delantera de la máquina y levante el depósito para acceder a la bomba.

OPERACIÓN

- b. Extraiga la tapa de seguridad de la bomba presionando con los dedos las lengüetas y tirando hacia fuera. También necesitará retirar el tapón negro de unos 2.5 cm (1 in) de la parte delantera del chasis (Figura 28).



FIG. 28

- c. Introduzca la pistola de engrase por el orificio del tapón (parte delantera del chasis) en el punto de lubricación y bombee el émbolo de 1 a 2 veces como máximo. La pistola sólo bombea grasa en los últimos 19 mm (0.75 in) del recorrido del émbolo. Asegúrese de empujar el émbolo hasta el fondo. Realice esta operación lentamente para que la grasa se introduzca en el cojinete (Figura 29).

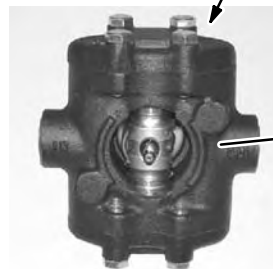
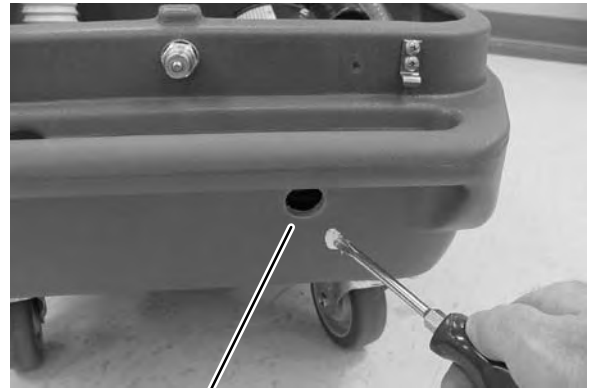
ATENCIÓN: Si se engrasa la bomba excesivamente se dañarán las juntas.

ATENCIÓN: No utilice una pistola de engrase de aire o manual, ya que se dañará la bomba.

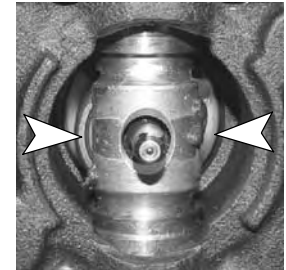


FIG. 29

- d. Con un destornillador, aplique una capa generosa de grasa al perímetro exterior del cojinete de la leva de las partes superior e inferior, en la zona de contacto con la varilla de conexión (Figura 30).



Parte delantera
Vista de la bomba



Aplicar grasa a estas dos
superficies de cojinete

FIG. 30

- e. Vuelva a colocar la tapa de engrase y el tapón negro.
- f. Controle periódicamente la bomba y retire (no lave) el exceso de grasa de la cavidad de la bomba.

MANTENIMIENTO TRIMESTRAL (Cada 250 horas de utilización)

Controle el desgaste de las escobillas de carbón de los motores. Sustituya las escobillas cuando la longitud de sus cerdas sea igual o inferior a 10 mm (0.38 in). Póngase en contacto con el Servicio Técnico Autorizado para la inspección de las escobillas de carbón.

ATENCIÓN: Póngase en contacto con el Servicio Técnico Autorizado para realizar las reparaciones necesarias. Las reparaciones de máquinas realizadas por personas no autorizadas invalidarán la garantía.

ALMACENAMIENTO DE LA MÁQUINA

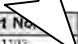
1. Antes de guardar la máquina, asegúrese de aclarar y vaciar todo el agua de los depósitos de la máquina.
2. Guarde la máquina en posición vertical en un lugar seco.
3. Retire las tapas transparentes para facilitar la circulación de aire.

⚠ ADVERTENCIA: No utilice la máquina al aire libre. No exponga la máquina a la lluvia. Guárdela en un lugar cerrado.

ATENCIÓN: Si guarda la máquina a temperaturas inferiores a 0 ° C, asegúrese de que la máquina y el sistema de disolución estén completamente vacíos y secos.

STOCK RECOMENDADO DE REPUESTOS

Consulte la sección Lista de repuestos para ver qué productos son los recomendados. Los repuestos que debe tener en almacén se identifican fácilmente por la marca que precede a la descripción de las piezas. Consulte el siguiente ejemplo:



Ref.	Part No.	Description	Qty.
1	701103	ASBL, STANDPIPE	1
2	180612	● FLOAT, SHUTOFF	1
3	230197	NIPPLE	1
4	101714	● GASKET	1
5	210240	NUT, FLANGED	1

OPERACIÓN

LOCALIZACIÓN DE AVERÍAS

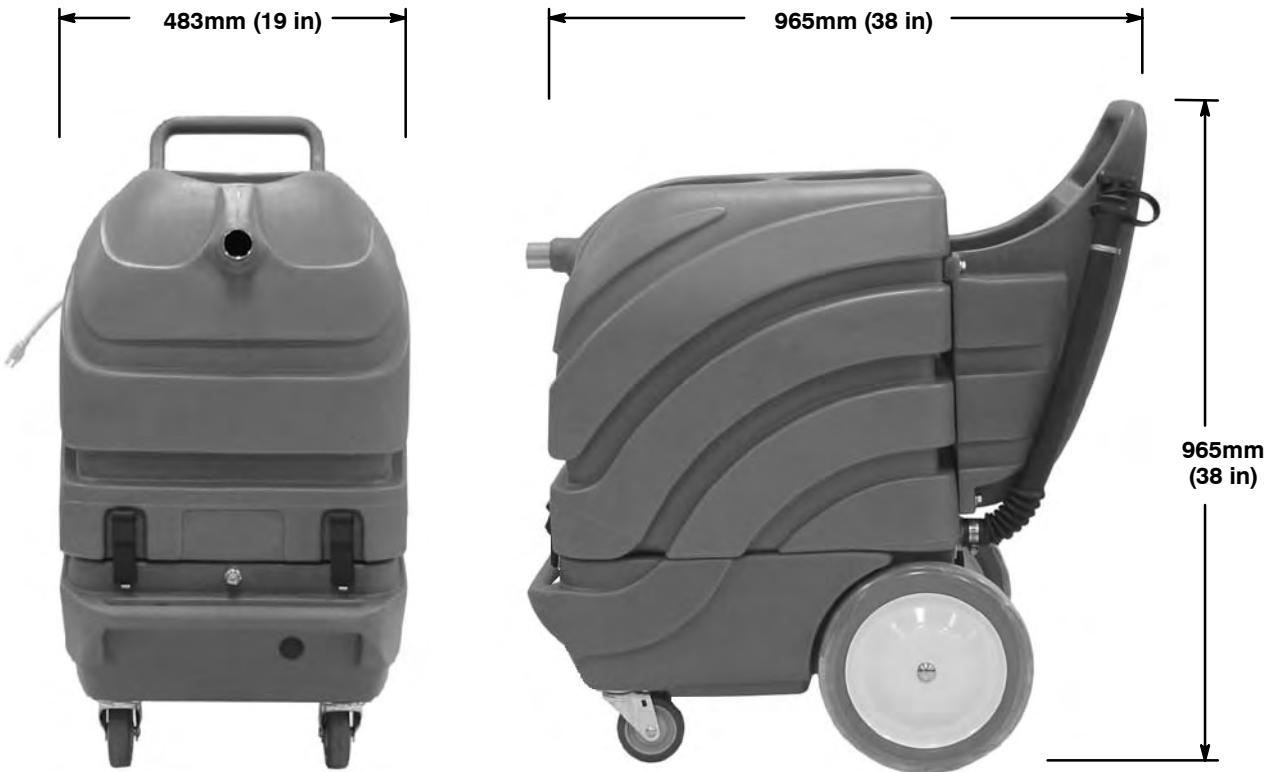
PROBLEMA	CAUSA	SOLUCIÓN
Pulverización de las puntas irregular o inexistente.	Puntas de pulverización sucias o bloqueadas.	Limpiar o sustituir las puntas.
	Tamaño o ángulo de la punta de pulverización incorrectos.	Sustituir por las puntas correctas. Controlar también la alineación de las puntas de pulverización de modo que estén todas en línea recta.
	Puntas de pulverización desgastadas.	Sustituir las puntas de pulverización.
	Interruptor de la bomba apagado.	Encender el interruptor de la bomba.
	Manguera de la disolución no conectada.	Asegurarse de que la manguera de la disolución está conectada.
Fugas en el accesorio para el suelo.	Acoplamiento rápido del accesorio para el suelo defectuoso.	Sustituir el acoplamiento rápido.
	Fugas en la válvula de control del flujo.	Contactar con el Servicio Técnico.
	Manguera rota o conexiones sueltas.	Sustituir la manguera y ajustar las conexiones.
	Conexión de la manguera de la disolución no acoplada totalmente.	Volver a conectar el acoplamiento rápido.
	Vástago de la válvula de control de presión desgastado.	Contactar con el Servicio Técnico.
La bomba de la disolución no funciona.	Fusible fundido o cortacircuitos disparado en el edificio.	Sustituir el fusible o reajustar el cortacircuitos del edificio.
	Interruptor de la bomba averiado.	Contactar con el Servicio Técnico.
	Cableado suelto en la bomba de la disolución.	Contactar con el Servicio Técnico.
	Motor de la bomba de la disolución defectuoso.	Contactar con el Servicio Técnico.
	Sobrecarga térmica activada, el motor se ha sobrecalentado y se apagará automáticamente hasta enfriarse.	Dejar enfriar el motor y controlar la causa del sobrecalentamiento.
	El cojinete de la bomba de la disolución se ha parado por falta de engrase.	Contactar con el Servicio Técnico.
Aspiración deficiente o nula.	Fusible fundido o cortacircuitos disparado en el edificio.	Sustituir el fusible o reajustar el cortacircuitos del edificio.
	Interruptor de la aspiración defectuoso.	Contactar con el Servicio Técnico.
	Tapón de la manguera de vaciado abierto o mal cerrado.	Tapar la manguera de vaciado y ajustar el mando.
	Filtro del flotador de cierre bloqueado por pelusas.	Retirar la tapa de recuperación y limpiar la pelusa del filtro.
	Fuga de aire en las tapas transparentes.	Cerrar bien las tapas del depósito.
	La manguera de aspiración está suelta.	Introducir bien la manguera en el accesorio de recuperación y en la parte delantera del aspirador.
	Orificios en la manguera de aspiración o conexiones sueltas en la manguera.	Sustituir la manguera o enroscar bien las conexiones de la manguera.
	Motor de aspiración defectuoso.	Contactar con el Servicio Técnico.
	Junta de la aspiración defectuosa.	Sustituir la junta.
	Filtro del flotador de cierre activado.	Apagar el aspirador, vaciar el depósito.

ESPECIFICACIONES

MODELO	1160 (120V)	1160 (220V / 230V / 240V)
LONGITUD	965 mm (38 in)	965 mm (38 in)
ANCHURA	483 mm (19 in)	483 mm (19 in)
ALTURA	965 mm (38 in)	965 mm (38 in)
PESO	58.9 kg (130 lb)	58.9 kg (130 lb)
CAPACIDAD DEL DEPÓSITO DE LA DISOLUCIÓN	56.7 l (15 gal)	56.7 l (15 gal)
CAPACIDAD DEL DEPÓSITO DE RECUPERACIÓN	71.9 l (19 gal)	71.9 l (19 gal)
BOMBA DE LA DISOLUCIÓN	5 A, 120 V, 9 l por min. (2.4 gpm) 0-17,22 bares (0-220 psi)	2.5 A, 230 V, 9 l por min (2.4 gpm) 0-17, 22 bares (0-220 psi)
MOTOR DE ASPIRACIÓN	10 A, 2,5 cv. 120 V, 1200 vatios	6,8 A, 2,5 cv. 240 V, 1632 vatios
ELEVACIÓN DE AGUA	340.3 cm (134 in)	327.6 cm (129 in)
DÉCIBELIOS A LA ALTURA DEL OPERARIO EN RECINTO CERRADO CON SUELO ENMOQUETADO	81 dB(A)	81 dB(A)

OPERACIÓN

DIMENSIONES DE LA MÁQUINA



Ce manuel est fourni avec chaque nouveau modèle. Il fournit les instructions nécessaires au fonctionnement et à l'entretien.

Lisez complètement ce manuel et familiarisez-vous avec la machine avant de l'utiliser ou de l'entretenir.

Une liste complète de pièces détachées avec illustrations accompagne également chaque nouveau modèle. Utilisez la liste de pièces détachées pour commander des pièces de rechange. Avant de commander des pièces ou des fournitures, soyez sûr d'avoir avec vous le numéro de modèle de la machine et le numéro de série. Les pièces et les fournitures se commandent par téléphone ou par courrier auprès de tout centre de dépannage agréé, de tout distributeur ou de l'une des filiales du fabricant.

Cette machine vous fournira d'excellents services. Toutefois, vous obtiendrez les meilleurs résultats pour un prix de revient minimum si:

- La machine est manipulée avec un certain soin.
- La machine fait l'objet d'un entretien régulier conformément aux instructions d'entretien de ce manuel.
- L'entretien de la machine est effectué avec des pièces fournies par le fabricant ou des pièces équivalentes.

DONNÉES DE LA MACHINE

A remplir au moment de l'installation à titre de référence.

Modèle n° _____

Date d'installation - _____

N° série - _____



PROTECTION DE L'ENVIRONNEMENT

Veillez éliminer les matériaux d'emballage, les composants d'anciennes machines comme les batteries, les fluides dangereux tels que l'antigel ou l'huile, d'une manière sûre au point de vue environnemental, suivant la réglementation locale en vigueur en matière d'élimination des déchets.

N'oubliez pas de toujours recycler.



TABLE DES MATIÈRES

MESURES DE SÉCURITÉ	33	DONNÉES TECHNIQUES	44
INSTRUCTIONS DE MISE À LA TERRE ...	35	DIMENSIONS DE LA MACHINE	44
ÉTIQUETTE DE MISE EN GARDE	35	SYSTÈM ÉLECTRIQUE	45
COMPOSANTS DE LA MACHINE	36	LISTE DES PIÈCES	46
MISE EN SERVICE DE LA MACHINE	37	PARTIE DU SUPÉRIEURE	46
UTILISATION DE L'OUTIL DE SOL	38	PARTIE DU INFÉRIEURE	48
UTILISATION DE L'OUTIL À MAIN	38	GROUPE POIGNEE	50
VIDANGE DES RÉSERVOIRS	39	GROUPE DE TUYAUTERIE	52
VIDANGE DU RÉSERVOIR		ENSEMBLE DE LA BROSSE	54
DE RÉCUPÉRATION	39	ÉQUIPEMENT AU CHOIX	55
VIDANGE DU RÉSERVOIR DE SOLUTION .	40	OUTIL A MAIN, 5 in / 127 mm	55
ENTRETIEN DE LA MACHINE	40	OUTIL POUR FISSURES, 3 in / 76 mm	55
ENTRETIEN QUOTIDIEN	40	OUTIL À MAIN À BASSE,	
ENTRETIEN HEBDOMADAIRE	41	HAUTE PRESSION	56
ENTRETIEN MENSUEL	41	TUYAUX DE SOLUTION ET D'EXTRACTION	57
ENTRETIEN TRIMESTRIEL	42	GROUPE OUTIL, HAUTE PRESSION,	
ENTREPOSAGE DE LA MACHINE	42	13 in / 330 mm	58
ARTICLES DE STOCK RECOMMANDÉS	42	GROUPE OUTIL, HAUTE PRESSION,	
DÉPISTAGE DES PANNES	43	16 in / 406 mm	60

MESURES DE SÉCURITÉ

Cette machine est conçue pour un usage commercial. Elle est destinée au nettoyage des moquettes et tissus d'ameublement dans un environnement intérieur et ne convient pas à un quelconque autre usage. Utilisez uniquement des accessoires et des produits nettoyants pour moquettes disponibles dans le commerce, prévus pour l'utilisation de la machine.

Tous les opérateurs sont tenus de lire et comprendre les consignes de sécurité suivantes et de se familiariser avec celles-ci.

Le symbole de mise en garde suivant et l'en-tête « POUR VOTRE SECURITE » sont utilisés tout au long de ce manuel comme indiqué dans leur description:

⚠ MISE EN GARDE: identifie la présence de dangers ou les opérations dangereuses susceptibles de blesser grièvement ou de provoquer la mort.

POUR VOTRE SECURITÉ: identifie les instructions qui doivent être suivies afin de garantir la sécurité lors de l'utilisation de l'équipement.

Le fait d'ignorer ces avertissements peut entraîner: des blessures personnelles, une électrocution, un choc électrique, un incendie ou une explosion.

⚠ MISE EN GARDE: N'utilisez pas de liquides inflammables ou n'utilisez pas la machine dans ou près de liquides ou vapeurs inflammables ou poussières combustibles.

Cette machine n'est pas équipée de moteurs protégés contre les explosions. Les moteurs électriques émettent des étincelles au moment du démarrage et pendant leur fonctionnement, ce qui peut entraîner un incendie instantané ou une explosion si la machine est utilisée dans une zone où des vapeurs/liquides inflammables ou des poussières combustibles, sont présents.

⚠ MISE EN GARDE: Ne ramassez pas de matériaux inflammables ou de métaux réactifs.

⚠ MISE EN GARDE: N'utilisez pas la machine avec un cordon d'alimentation endommagé. Ne modifiez pas la prise. Débranchez le cordon d'alimentation avant d'entretenir la machine.

Si le cordon d'alimentation est endommagé ou rompu, il doit être remplacé par le fabricant ou son agent de maintenance ou toute autre personne qualifiée, afin d'éviter tout danger.

⚠ MISE EN GARDE: N'utilisez pas en extérieur. N'exposez pas à la pluie. Entrez à l'intérieur.

Les signaux d'information ci-après indiquent les situations potentiellement dangereuses pour l'opérateur ou l'équipement:

POUR VOTRE SECURITÉ:

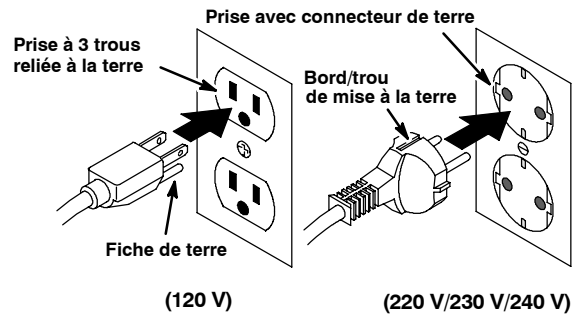
1. N'utilisez pas la machine:
 - avec des liquides inflammables ou près de vapeurs inflammables, afin d'éviter le risque d'explosion ou d'incendie instantané.
 - Si vous n'y êtes pas formé et autorisé.
 - Avant d'avoir lu et compris le manuel opérateur.
 - Si le cordon n'est pas correctement relié à la terre.
 - Avec des cordons ou prises endommagés.
 - Si elle n'est pas en bon état de marche.
 - À l'extérieur.
 - Dans l'eau stagnante.
 - Avec l'utilisation d'une rallonge (modèles 220 / 230 / 240 V).
 - Avec des rallonges de cordons supplémentaires. Utilisez uniquement les rallonges de cordons équipées avec la machine; celles-ci possèdent la capacité adéquate et sont reliées à la terre (modèle 120 V).
2. Avant d'utiliser la machine:
 - Assurez-vous que tous les dispositifs de sécurité se trouvent à leur place et fonctionnent correctement.
 - Placez les signes SOL HUMIDE si nécessaire.
3. Lors de l'utilisation de la machine:
 - Ne roulez pas sur le cordon avec l'appareil.
 - Ne tirez pas la machine par la prise ou le cordon.
 - Ne tirez pas le cordon près des bords ou des coins vifs.
 - Ne débranchez pas l'appareil en tirant sur le cordon.
 - N'étirez pas le cordon.
 - Ne manipulez pas la prise avec des mains mouillées.
 - Éloignez le cordon des surfaces chaudes.

FONCTIONNEMENT

- Signalez immédiatement tout dommage occasionné à la machine ou tout mauvais fonctionnement.
 - Suivez les instructions de mélange et de manipulation indiquées sur les conteneurs chimiques.
 - Empêchez les enfants de jouer à proximité de la machine.
4. Avant de quitter ou d'entretenir la machine:
- Coupez le contact de la machine.
 - Débranchez le cordon de la prise murale.
5. Lors de l'entretien de la machine:
- Débranchez le cordon de la prise murale.
 - Évitez les pièces mobiles. Ne portez pas de veste ou de chemise large ou de manches amples.
 - Utilisez des pièces de rechanges fournies ou agréées par le fabricant.
 - Toutes les réparations doivent être effectuées uniquement par un technicien qualifié.
 - Ne modifiez pas le design d'origine de la machine.
6. Lors du transport de la machine:
- Demandez de l'aide pour soulever la machine.
 - Débranchez le cordon de la prise murale.
 - Utilisez des sangles pour arrimer la machine sur le camion ou la remorque.

INSTRUCTIONS DE MISE À LA TERRE

La machine doit être mise à la terre. En cas de dysfonctionnement ou de panne, la mise à la terre offre une voie de moindre résistance au courant électrique, afin de réduire le risque de décharge électrique. Cette machine est équipée d'un cordon muni d'un conducteur de terre principale et d'une fiche avec mise à la terre. La fiche doit être branchée sur une prise appropriée montée correctement, conformément aux réglementations et codes en vigueur au niveau local. Ne supprimez pas la fiche de mise à la terre; si celle-ci manque, remplacez la prise avant d'utiliser la machine.



ÉTIQUETTE DE MISE EN GARDE

L'étiquette de mise en garde apparaît sur la machine à l'emplacement indiqué. Remplacez l'étiquette lorsqu'elle est endommagée ou qu'elle devient illisible.



ÉTIQUETTE MISE EN GARDE - Située au dos de la machine.

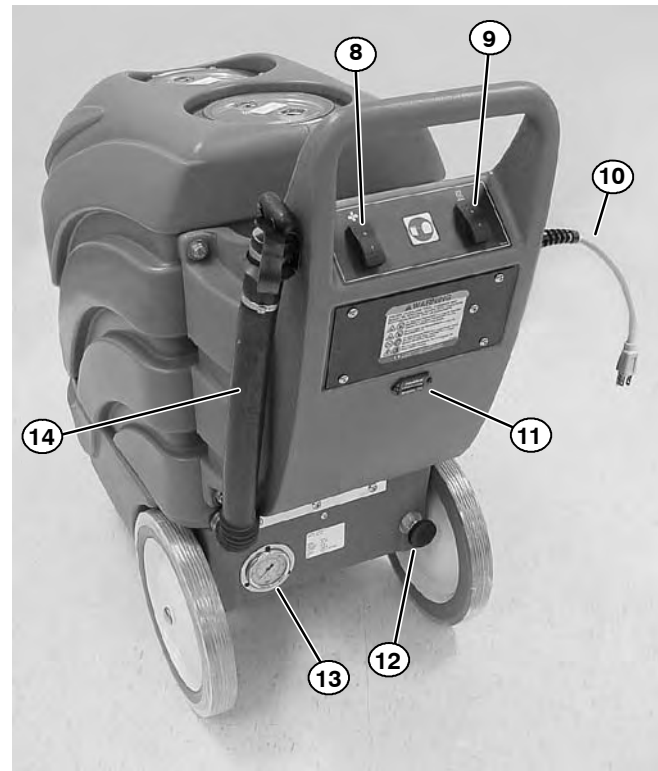
⚠ WARNING	
EXPLOSION, FIRE AND SHOCK HAZARD. AVOID INJURY. • Do Not Use or Pick Up Flammable Materials. • Do Not Use Near Flammable Liquids, Vapors or Combustible Dusts. • Do Not Operate With Damaged Power Cord. Do Not Modify Plug. Unplug Power Cord Before Servicing Machine. • Do Not Use Outdoors. Do Not Expose to Rain. Store Indoors.	
⚠ AVERTISSEMENT	
RISQUE D'EXPLOSION, D'INCENDIE ET DE DÉCHARGE. ÉVITEZ LES BLESSURES. • N'utilisez Pas ou Ne Ramassez Pas de Matériaux Inflammables. • N'utilisez Pas Près de Liquides, Vapeurs ou Poussières Inflammables. • N'utilisez Pas la Machine Avec un Cordon d'Alimentation Endommagé. Ne Modifiez Pas la Prise. Débranchez le Cordon d'Alimentation Avant d'Entretenir la Machine. • N'utilisez Pas en Extérieur. N'Exposez Pas à la Pluie. Entrez à l'Intérieur.	
⚠ ADVERTENCIA	
PELIGRO DE EXPLOSIÓN, FUEGO, DESCARGA EVITE LESIONES. • No Use Ó Recoja Materiales Flamables. • No Use Cerca De Líquidos Flamables, Vapores Ó Materiales Combustibles. • No Use Con Cable De Corriente Dañado. No Altere El Enchufe. Desconecte Cable De Corriente Antes Del Mantenimiento. • No Use Al Aire Libre. No Exponga A La Lluvia. Guardi Bajo Techo.	
1025384	

FONCTIONNEMENT

COMPOSANTS DE LA MACHINE



1. Réservoir de récupération
2. Réservoir de solution
3. Crochet d'attache du tuyau d'aspiration de l'accessoire
4. Loquets
5. Crochet d'attache du tuyau de solution de l'accessoire
Raccord rapide
6. Roulettes
7. Roulettes de montée d'escalier
305mm (12 in)



8. Interrupteur Marche/Arrêt d'extracteur
9. Interrupteur Marche/Arrêt de pompe
10. Toron de raccordement d'alimentation électrique (modèle 120 V)
11. Compteur horaire
12. Vanne de surpression
13. Manomètre
14. Tuyau de vidange du réservoir de récupération

MISE EN SERVICE DE LA MACHINE

1. Vérifiez soigneusement si le carton ne présente pas de dommages. Signalez immédiatement tout dommage au transporteur. La machine est expédiée complètement assemblée et elle est prête à l'emploi.
2. Dévissez et retirez le couvercle du réservoir de solution. À l'aide d'un tuyau ou d'un seau, remplissez le réservoir de 57L (15 gal) d'eau chaude, à une température maximale de 60°C (140°F) (Figure 1).

ATTENTION : Utilisez différents seaux pour remplir et pour vider la machine, afin d'éviter l'obstruction du système de solution.



FIG. 1

⚠ MISE EN GARDE: N'utilisez pas de liquides inflammables ou n'utilisez pas la machine dans ou près de liquides ou vapeurs inflammables ou poussières combustibles.

3. Ajoutez une solution de nettoyage recommandée au dosage de dilution approprié.

POUR VOTRE SECURITÉ: lorsque vous utilisez la machine, suivez les instructions de mélange et de manipulation indiquées sur les conteneurs chimiques.

ATTENTION: Si vous utilisez des produits chimiques en poudre, mélangez les produits avec de l'eau avant de les verser dans le réservoir.

REMARQUE: Si vous le souhaitez, utilisez de l'eau uniquement: vous obtiendrez un excellent résultat.

4. Après le remplissage, replacez le couvercle du réservoir de solution.
5. Branchez le cordon d'alimentation de la machine sur une prise murale reliée à la terre (Figure 2).

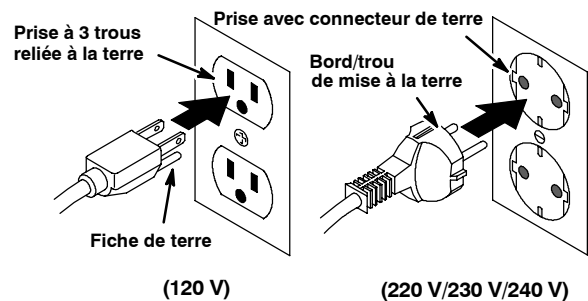


FIG. 2

POUR VOTRE SECURITÉ: N'utilisez la machine que si le cordon est correctement relié à la terre.

POUR VOTRE SECURITÉ: (Modèle 120 V) N'utilisez pas la machine avec des rallonges de câbles supplémentaires. Utilisez uniquement les rallonges de cordons équipées avec la machine; celles-ci possèdent la capacité adéquate et sont reliées à la terre.

POUR VOTRE SECURITÉ: (modèles 220/230/240V) N'utilisez pas la machine avec une rallonge.

6. Amorcez la pompe à solution:
 - a. Branchez le tuyau de purge sur le raccord rapide du tuyau de solution situé à l'avant de l'extracteur.
 - b. Plongez l'autre extrémité du tuyau de purge dans le réservoir de solution (Figure 3).
 - c. Ouvrez complètement la vanne de surpression arrière (tournez le bouton dans le sens contraire des aiguilles d'une montre), puis activez la pompe. Au fur et à mesure que la pompe tourne, les bulles d'air se dissipent dans la solution (Figure 3).
 - d. Refermez complètement la vanne de surpression en tournant le bouton dans le sens des aiguilles d'une montre et laissez tourner la pompe.
 - e. À présent, fixez l'accessoire. Si la pompe est bien amorcée, le manomètre devrait indiquer une pression de 15,65-17,22 bar (200-220 psi).

REMARQUE: Chaque fois que la solution s'épuise alors que l'extracteur fonctionne, vous devez réamorcer la pompe avant de pouvoir réutiliser la machine.



FIG. 3

FONCTIONNEMENT

- Fixez les tuyaux d'aspiration et de solution à l'avant de la machine, puis l'outil de sol et l'outil à main (Figure 4).



FIG. 4

UTILISATION DE L'OUTIL DE SOL

POUR VOTRE SECURITÉ: n'utilisez pas la machine avant d'avoir lu et compris le manuel opérateur.

REMARQUE: Passez l'aspirateur sur la moquette avant le nettoyage.

- Activez l'extracteur et la pompe.
- Placez l'outil de sol de sorte que le fond de la plaque de glissement ou les sabots en acier inoxydable soient parallèles au sol. Appuyez sur le déclencheur, appliquez une pression vers le bas sur la tête de l'outil de sol et tirez lentement l'outil vers l'arrière à l'aide des deux mains. Relâchez le déclencheur 150mm (6 in) avant la fin de course (Figure 5).

⚠ MISE EN GARDE: Ne ramassez pas de matériaux inflammables ou de métaux réactifs.



FIG. 5

- Poussez l'outil de sol vers l'avant sur la même trace avec le déclencheur relâché, lorsque vous revenez vers la bande suivante. Maintenez cette méthode pousser-tirer avec un léger chevauchement pour chaque bande.

REMARQUE: Pour les zones très sales, répétez la trajectoire ou changez l'angle de la course.

- Vérifiez si une quantité importante de mousse ne s'est pas formée dans le réservoir de récupération. Utilisez une solution antimousse recommandée pour éviter l'endommagement du moteur de l'extracteur.

ATTENTION: Une accumulation excessive de mousse empêche l'activation du filtre d'arrêt à flotteur. Ceci peut endommager le moteur de l'extracteur.

- Une fois le nettoyage terminé, désactivez les commutateurs et videz le réservoir de récupération (Voir VIDANGE DU RÉSERVOIR DE RÉCUPÉRATION).
- Après le nettoyage, réduisez la pression d'eau au niveau de l'accessoire, avant de débrancher le tuyau. Appuyez sur le déclencheur pendant cinq secondes après avoir coupé l'alimentation de la machine.

UTILISATION DE L'OUTIL À MAIN

Un accessoire en option est nécessaire.

POUR VOTRE SECURITÉ: n'utilisez pas la machine avant d'avoir lu et compris le manuel opérateur.

REMARQUE: Cette machine nettoie très bien la plupart des tissus d'ameublement synthétiques. Les tissus tels que le Herculon et les velours synthétiques sont nettoyés avec d'excellents résultats. L'extraction n'est pas recommandée pour la plupart des cotons, les soieries, la laine et autres velours ou fibres naturelles. Pour de plus amples informations, consultez les instructions de nettoyage cousues sur les tissus d'ameublement par le fabricant. Prenez des précautions particulières lorsque le meuble a été regarni. Tout matériau situé sous le nouveau tissu d'ameublement risque de décolorer le nouveau tissu.

REMARQUE: Passez l'aspirateur sur le tissu d'ameublement avant le nettoyage.

- TESTEZ LA SOLIDITÉ DES COULEURS DU TISSU:** Versez une petite quantité de solution de nettoyage sur un chiffon blanc. Maintenez la portion humidifiée du chiffon contre une zone du tissu masquée à la vue. Maintenez la pression pendant 60 secondes. Si la couleur ne déteint pas sur le chiffon, le nettoyage est sûr. Cependant, suivez toujours votre meilleur jugement.
- Activez l'extracteur et la pompe.

3. Réglez le bouton de la vanne de surpression afin de pouvoir lire 2,3 bar (30 psi) sur le manomètre (Figure 6).



FIG. 6

4. Placez l'outil à main sur le tissu et appuyez sur la détente tout en appliquant une pression sur le tissu et tirez lentement l'outil vers l'arrière. Veillez à ne pas trop mouiller le tissu. Répétez la même course sans pulvérisation afin de sécher le tissu le plus possible. Faites se chevaucher les bandes de nettoyage afin éviter la formation de traînées (Figure 7).



FIG. 7

⚠ MISE EN GARDE: Ne ramassez pas de matériaux inflammables ou de métaux réactifs.

ATTENTION: Veillez à ne pas laisser pénétrer de mousse ou d'eau dans le filtre d'arrêt à flotteur du réservoir de récupération.

5. Une fois le nettoyage terminé, désactivez les commutateurs et videz le réservoir de récupération (Voir VIDANGE DU RÉSERVOIR DE RÉCUPÉRATION).
6. Après le nettoyage, réduisez la pression d'eau au niveau de l'accessoire, avant de débrancher le tuyau. Appuyez sur le déclencheur pendant cinq secondes après avoir coupé l'alimentation de la machine.

VIDANGE DES RÉSERVOIRS

POUR VOTRE SECURITÉ: Avant de quitter ou d'entretenir la machine, débranchez le cordon de la prise murale.

ATTENTION: Utilisez différents seaux pour remplir et pour vider la machine, afin d'éviter l'obstruction du système de solution.

VIDANGE DU RÉSERVOIR DE RÉCUPÉRATION

REMARQUE: Lorsque le réservoir de solution est vide, le réservoir de récupération doit être vidangé.

1. Désactivez les commutateurs et débranchez le cordon d'alimentation.
2. Retirez le tuyau de vidange de son support, amenez le tuyau au-dessus d'un trou de vidange au sol et retirez le bouchon pour effectuer la vidange (Figure 8).



FIG. 8

3. Revissez fermement le bouchon avant de recommencer le nettoyage.
4. Après la vidange finale, retirez le couvercle du réservoir de récupération et rincez soigneusement le réservoir et le filtre d'arrêt à flotteur afin d'éviter l'accumulation d'odeurs (Figure 11).

FONCTIONNEMENT

VIDANGE DU RÉSERVOIR DE SOLUTION

1. Pour vidanger le reste de solution du réservoir de solution, débranchez le tuyau et fixez le tuyau de purge (tuyau de purge fourni avec la machine) (Figure 9).

ATTENTION: Relâchez la pression d'eau de l'accessoire avant de débrancher le tuyau. Appuyez sur le déclencheur pendant cinq secondes après avoir coupé l'alimentation.

2. Activez le commutateur de la pompe. Pompez la solution pour la déverser dans un seau vide (Figure 9).



FIG. 9

3. Rincez le réservoir de solution à l'eau claire afin d'éviter l'accumulation d'odeurs. Faites tourner pendant 30 secondes le moteur de l'extracteur, afin d'évacuer toute humidité. Entrepousez l'extracteur avec les couvercles ouvert afin de permettre la circulation de l'air.

ENTRETIEN DE LA MACHINE

Pour garder la machine en bon état de marche, suivez les procédures d'entretien quotidiennes, hebdomadaires et mensuelles.

POUR VOTRE SECURITÉ: Quand vous entretenez la machine, débranchez le cordon de la prise murale.

Pour faciliter l'entretien, le réservoir de la machine est articulé afin de pivoter hors du châssis pour permettre l'accès aux composants internes. Assurez-vous que les réservoirs sont vides avant de les ouvrir. Pour ouvrir l'extracteur pour des activités de maintenance, suivez les étapes ci-dessous :

- a. Débranchez l'extracteur.
- b. Détachez les deux loquets avant.
- c. Soulevez le réservoir, hors du châssis (Figure 10).



FIG. 10

ENTRETIEN QUOTIDIEN

(Toutes les 4 heures de service)

1. Nettoyez la machine avec un produit non abrasif et non solvant.
2. Vidangez et rincez les réservoirs soigneusement.
3. Retirez les peluches du filtre d'arrêt à flotteur (Figure 11).



FIG. 11

4. Retirez et rincez le filtre du réservoir de solution (Figure 12).



FIG. 12

5. Vérifiez si le cordon d'alimentation n'est pas endommagé. Remplacez-les si c'est le cas. Enroulez soigneusement le cordon après chaque utilisation.
6. Retirez tout débris coincé dans l'outil de sol.

- Vérifiez la trajectoire du pulvérisateur pour déceler des gicleurs obstrués.

ENTRETIEN HEBDOMADAIRE (Toutes les 20 heures de service)

- Vérifiez la fixation des sabots de l'outil de sol. S'ils sont lâches, tapotez-les avec un maillet en caoutchouc pour les remettre en place.
- Vérifiez si le tuyau d'aspiration n'est pas endommagé ou détaché.

ENTRETIEN MENSUEL (Toutes les 80 heures de service)

- Vérifiez si la poignée du câble d'alimentation n'est pas endommagée. Remplacez-les si c'est le cas. Enroulez soigneusement le cordon après chaque utilisation.
- Vérifiez la présence de fissure au niveau du réservoir.
- Lubrifiez les roulettes avec une graisse imperméable.
- Retirez les gicleurs du sol et de l'outil à main et trempez-les dans une solution d'acide acétique.

REMARQUE: N'utilisez pas d'épingles, de trombones, etc., pour déboucher les gicleurs. Ceci endommage les gicleurs.

- Rincez le système de pompe. Utilisez la solution d'acide acétique pour dissoudre l'accumulation normale de produits chimiques alcalins. Suivez les étapes ci-dessous:

POUR VOTRE SECURITÉ: lorsque vous utilisez la machine, suivez les instructions de mélange et de manipulation indiquées sur les conteneurs chimiques.

- Dans le réservoir de solution, mélangez 5 l (16 oz) de solution d'acide acétique avec 7,5 l (2 gal) d'eau chaude, à une température maximale de 60° C (140° F) et versez le mélange dans le réservoir de solution.
- Placez un seau sous les gicleurs pour recevoir la pulvérisation.
- Activez le commutateur de la pompe.
- Appuyez sur le déclencheur de l'outil pendant 30 secondes.
- Laissez la solution dans le système pendant 6 heures maximum à une température au-dessus de 0 degré.
- Ensuite, pulvérisez la solution d'acide acétique dans un égout. Faites alors couler 11,4 l (3 gal) d'eau claire au travers du système pour rincer les impuretés.

- Graissez la pompe: La pompe à solution doit être graissée toutes les 40 heures de service ou tous les mois (selon le cas). Reportez-vous au compteur horaire situé sous la poignée de la machine pour vous aider à déterminer à quel moment le graissage est nécessaire. Chaque nouvelle machine est équipée d'un pistolet à graisse (n° d'article du pistolet à graisse: 190022).
 - Pour graisser la pompe, détachez les loquets à l'avant de la machine et soulevez le réservoir pour accéder à la pompe.
 - Retirez le couvercle de sécurité de la pompe en pinçant les languettes et en les tirant droit vers l'extérieur. Vous devez également retirer le bouchon noir de 2,5 cm (1in) à l'avant du châssis (Figure 13).



FIG. 13

- Insérez le pistolet à graisse au travers de l'orifice du bouchon (à l'avant du châssis) et sur le graisseur, le piston plongeur, au moins 1 à 2 fois. Le pistolet distribue la graisse uniquement sur les derniers 19 mm (0.75 in) de la course du plongeur. Veillez donc à pousser complètement le plongeur ! Effectuez ceci lentement, afin de permettre à la graisse de pénétrer dans le palier (Figure 14).

ATTENTION: Un graissage excessif de la pompe endommage les joints.

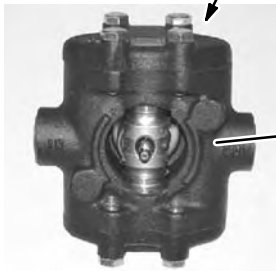
ATTENTION: N'utilisez pas de pistolets à graisse à air comprimé ou levier à main; ceci risque d'endommager la pompe.



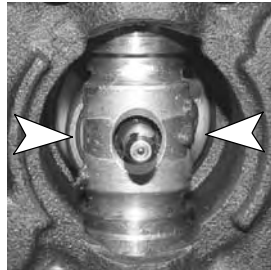
FIG. 14

FONCTIONNEMENT

- d. À l'aide d'un tournevis, appliquez une couche généreuse de graisse sur le diamètre extérieur du palier de came au sommet et à la base, là où le papier entre en contact avec la tige de raccordement (Figure 15).



Avant
Vue de la pompe



Appliquez de la graisse sur ces 2 surfaces de palier.

FIG. 15

- e. Remplacez le couvercle et le bouchon noir.
f. Vérifiez périodiquement la pompe et raclez (ne rincez pas) tout excès de graisse de la cavité de la pompe.

ENTRETIEN TRIMESTRIEL

(Toutes les 250 heures de service)

Inspectez l'état d'usure des balais de charbon des moteurs. Remplacez les balais lorsque leur longueur est de 10 mm (0.38 in) ou moins. Contactez un centre d'entretien agréé pour un contrôle des balais de charbon.

ATTENTION: Contactez un service de réparation agréé pour les réparations de la machine. Les réparations effectuées sur la machine par une personne non autorisée entraînent l'annulation de la garantie.

ENTREPOSAGE DE LA MACHINE

1. Avant d'entreposer la machine, veillez à rincer les réservoirs et à faire la vidange de toute l'eau de la machine.
2. Entreposez la machine verticalement à l'abri de l'humidité.
3. Enlevez le couvercle transparent pour favoriser la circulation d'air.

⚠ MISE EN GARDE: N'utilisez pas en extérieur. N'exposez pas à la pluie. Entreposez à l'intérieur.

ATTENTION: Si vous entreposez la machine à des températures proches de zéro, assurez-vous que la machine et le système de solution sont complètement vidés et secs.

ARTICLES DE STOCK RECOMMANDÉS

Reportez-vous à la section Liste des pièces pour les pièces de stock recommandées. Les articles de stock sont clairement identifiés à l'aide d'un point précédant la description de la pièce. Voir l'exemple ci-dessous :

Ref.	Part No.	Description	Qty.
1	701193	ARM, STANDPIPE	1
2	180612	● FLOAT, SHUTOFF	1
3	230197	NIPPLE	1
4	101714	● GASKET	1
5	210240	NUT, FLANGED	1

DÉPISTAGE DES PANNES

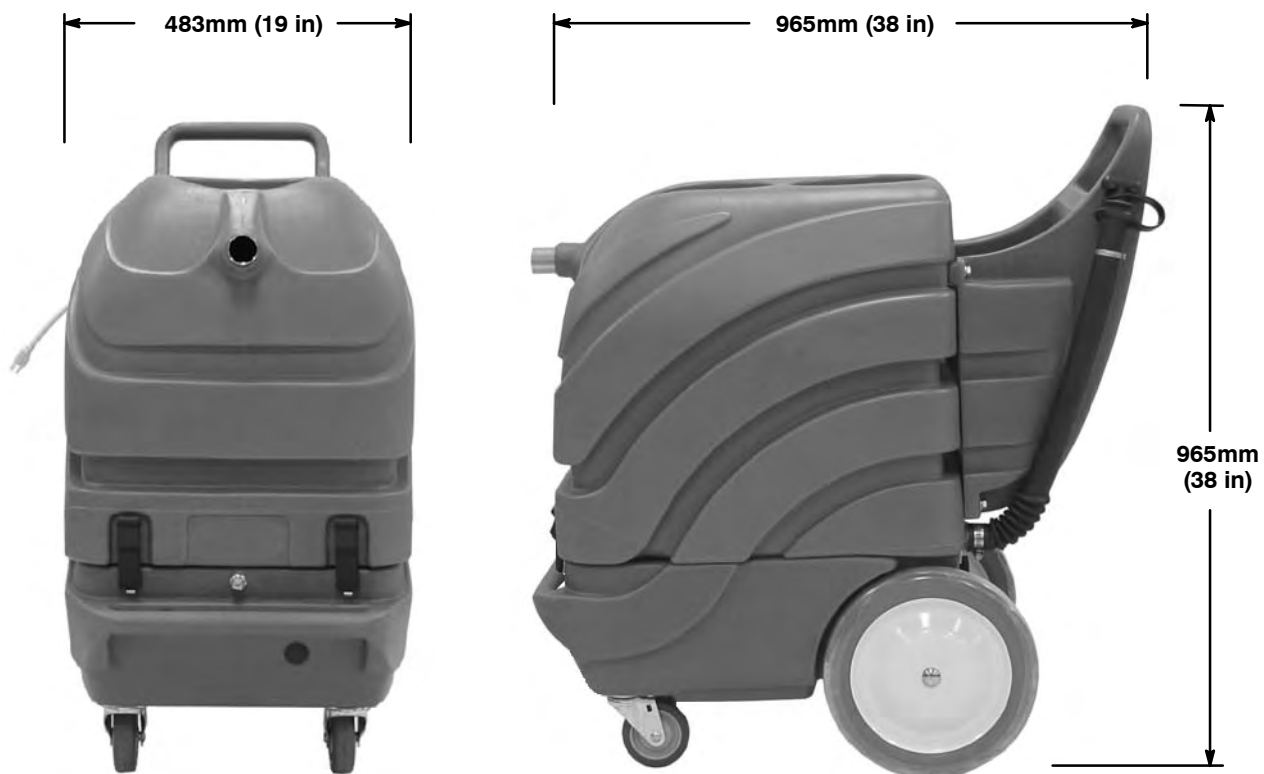
PROBLÈME	CAUSE	REMEDE
Aspersion irrégulière ou pas d'aspersion à partir des gicleurs.	Gicleurs sales ou obstrués.	Nettoyez ou remplacez les gicleurs.
	Taille du gicleur ou angle d'aspersion inapproprié.	Remplacez par des gicleurs appropriés. Vérifiez également l'alignement des gicleurs de sorte que tous les gicleurs pulvérisent en ligne droite.
	Gicleurs usés.	Remplacez les gicleurs.
	Commutateur de pompe désactivé.	Tournez le commutateur de pompe en position ON.
	Tuyau de solution non raccordé.	Veillez à ce que le tuyau de solution soit raccordé.
Fuite de l'outil de sol.	Raccord rapide défectueux sur l'outil de sol.	Remplacez le raccord rapide.
	Fuite de la vanne de commande de distribution.	Contactez le service de dépannage.
	Tuyau fendu ou raccords lâches.	Remplacez le tuyau et serrez les raccords.
	Raccord de tuyau de solution non engagé complètement.	Branchez à nouveau le raccord rapide.
	Tige de la vanne de surpression usée.	Contactez le service de dépannage.
La pompe de la solution ne fonctionne pas.	Fusible grillé ou coupe-circuit déclenché dans le bâtiment.	Remplacez le fusible ou réenclenchez le coupe-circuit dans le bâtiment.
	Commutateur de pompe défectueux.	Contactez le service de dépannage.
	Câblage de pompe à solution lâche.	Contactez le service de dépannage.
	Moteur de pompe à solution défectueux.	Contactez le service de dépannage.
	Surcharge thermique activée - le moteur est trop chaud et se coupe automatiquement jusqu'à son refroidissement.	Laissez refroidir le moteur et examinez la cause de la surchauffe.
	Le palier de la pompe à solution gèle, causé par une absence de graissage.	Contactez le service de dépannage.
Aspiration insuffisante ou pas d'aspiration.	Fusible grillé ou coupe-circuit déclenché dans le bâtiment.	Remplacez le fusible ou réenclenchez le coupe-circuit dans le bâtiment.
	Bouton de l'extracteur défectueux.	Contactez le service de dépannage.
	Bouchon de tuyau de vidange ouvert ou desserré.	Placez le bouchon sur le tuyau de vidange et vissez-le.
	Peluches obstruant le filtre de coupure à flotteur.	Retirez le couvercle du réservoir de récupération et débarrassez-le des peluches.
	Fuite d'air autour des couvercles transparents.	Fixez les couvercles des réservoirs.
	Tuyau d'extracteur lâche.	Poussez fermement le tuyau sur l'outil de récupération et à l'avant de l'extracteur.
	Trous dans le tuyau d'aspiration ou raccord de tuyaux desserrés.	Remplacez le tuyau ou vissez fermement les raccords sur le tuyau.
	Moteur de l'aspirateur défectueux.	Contactez le service de dépannage.
	Joint d'extracteur défectueux.	Remplacez le joint.
	Le filtre d'arrêt à flotteur est activé.	Arrêtez l'extracteur, videz le réservoir.

FONCTIONNEMENT

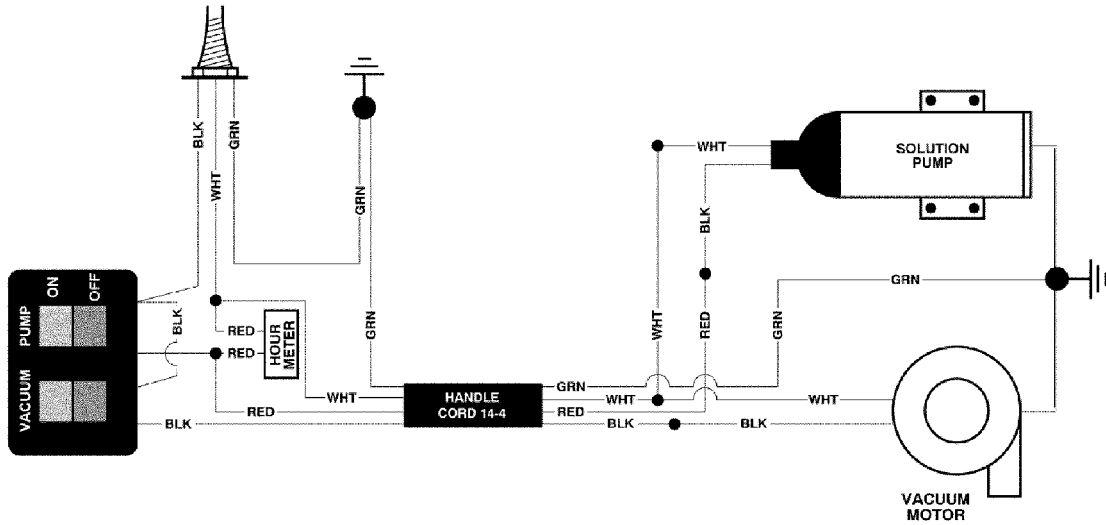
DONNÉES TECHNIQUES

MODÈLE	1160 (120V)	1160 (220V / 230V / 240V)
LONGUEUR	965 mm (38 in)	965 mm (38 in)
LARGEUR	483 mm (19 in)	483 mm (19 in)
HAUTEUR	965 mm (38 in)	965 mm (38 in)
POIDS	58,9 kg (130 lb)	58,9 kg (130 lb)
CAPACITÉ DU RÉSERVOIR DE SOLUTION	56,7 l (15 gal)	56,7 l (15 gal)
CAPACITÉ DU RÉSERVOIR DE RÉCUPÉRATION	71,9 l (19 gal)	71,9 l (19 gal)
POMPE À SOLUTION	5 A, 120 V, 9 l/min (2,4 gpm) 0-17,22 bar (0-220 psi)	2,5 A, 230 V, 9 l/min (2.4 gpm) 0-17,22 bar (0-220 psi)
MOTEUR D'EXTRACTION	10 A, 2,5 CV. 120 V, 1200 watts	6,8 A, 2,5 CV. 240 V, 1.632 watts
HAUTEUR D'ASPIRATION SCELLÉE	340,3 cm (134 in)	327,6 cm (129 in)
NIVEAU SONORE AU NIVEAU DE L'OREILLE DE L'OPÉRATEUR, À L'INTÉRIEUR SUR DE LA MOQUETTE	81 dB(A)	81 dB(A)

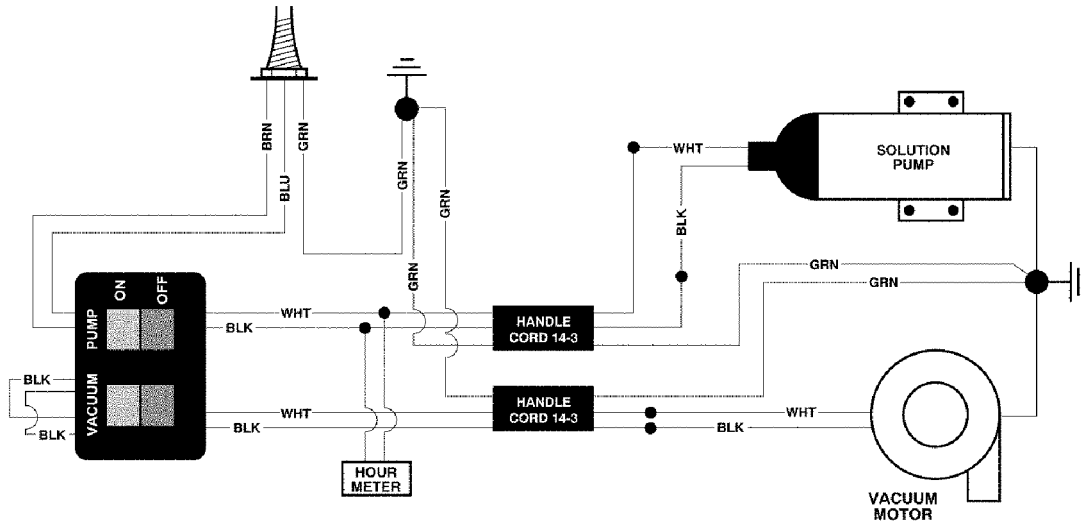
DIMENSIONS DE LA MACHINE



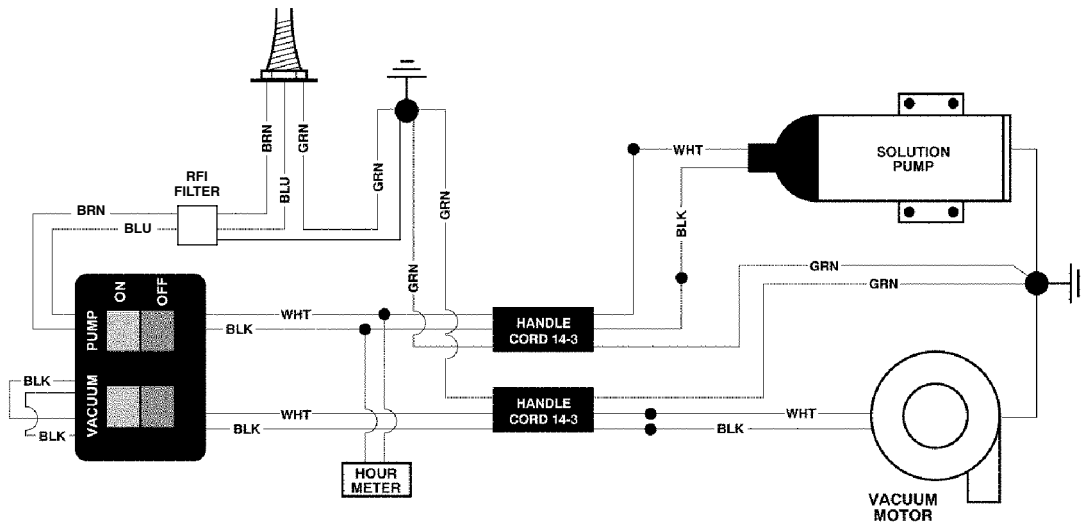
120V Wiring



220V/230V Wiring

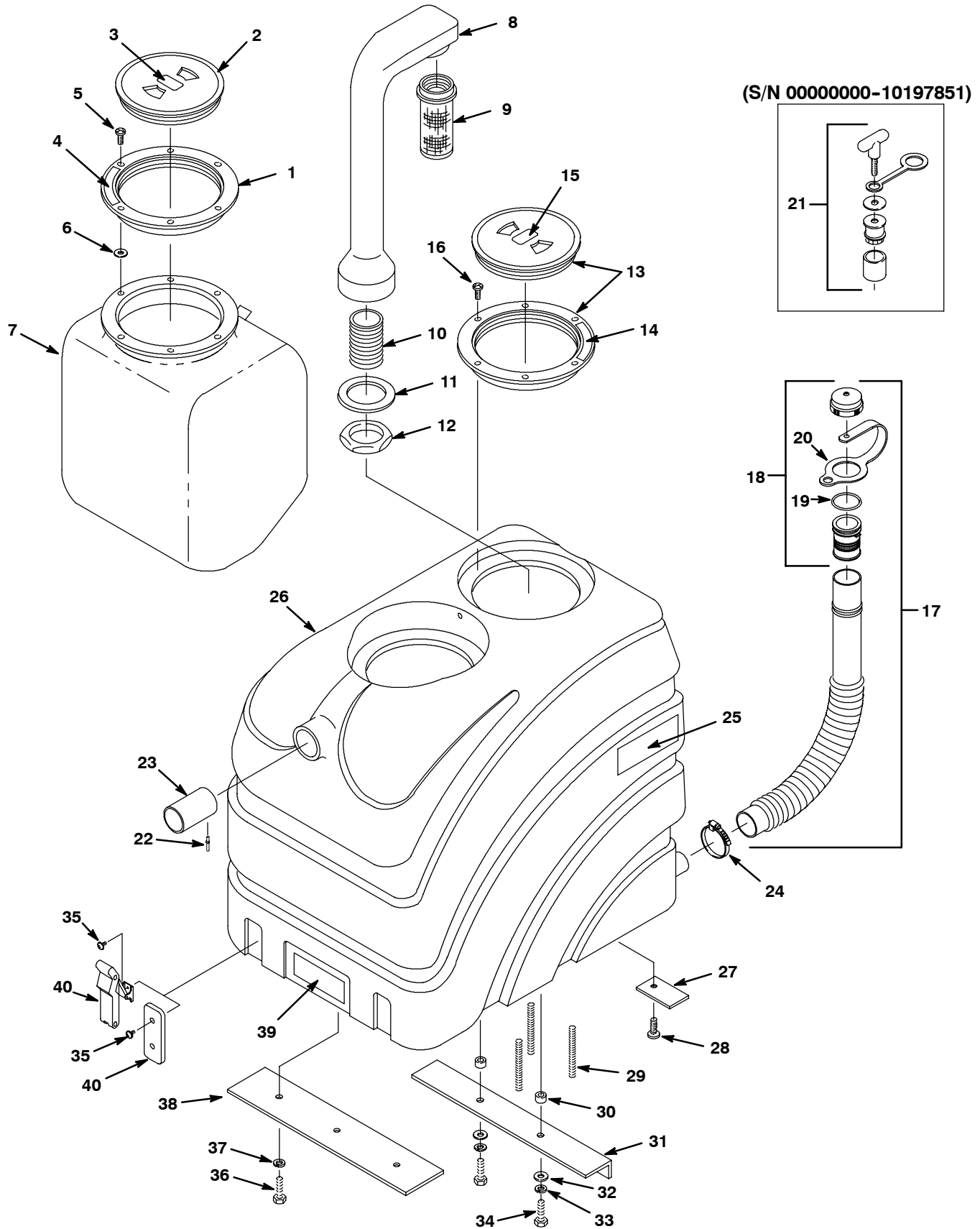


240V EMC Wiring



PARTS LIST - LISTA DE PIEZAS - LISTE DES PIÈCES

UPPER HOUSING GROUP / GRUPO DEL BASTIDOR SUPERIOR / PARTIE DU SUPÉRIEURE



PARTS LIST - LISTA DE PIEZAS - LISTE DES PIÈCES

UPPER HOUSING GROUP / GRUPO DEL BASTIDOR SUPERIOR / PARTIE DU SUPÉRIEURE

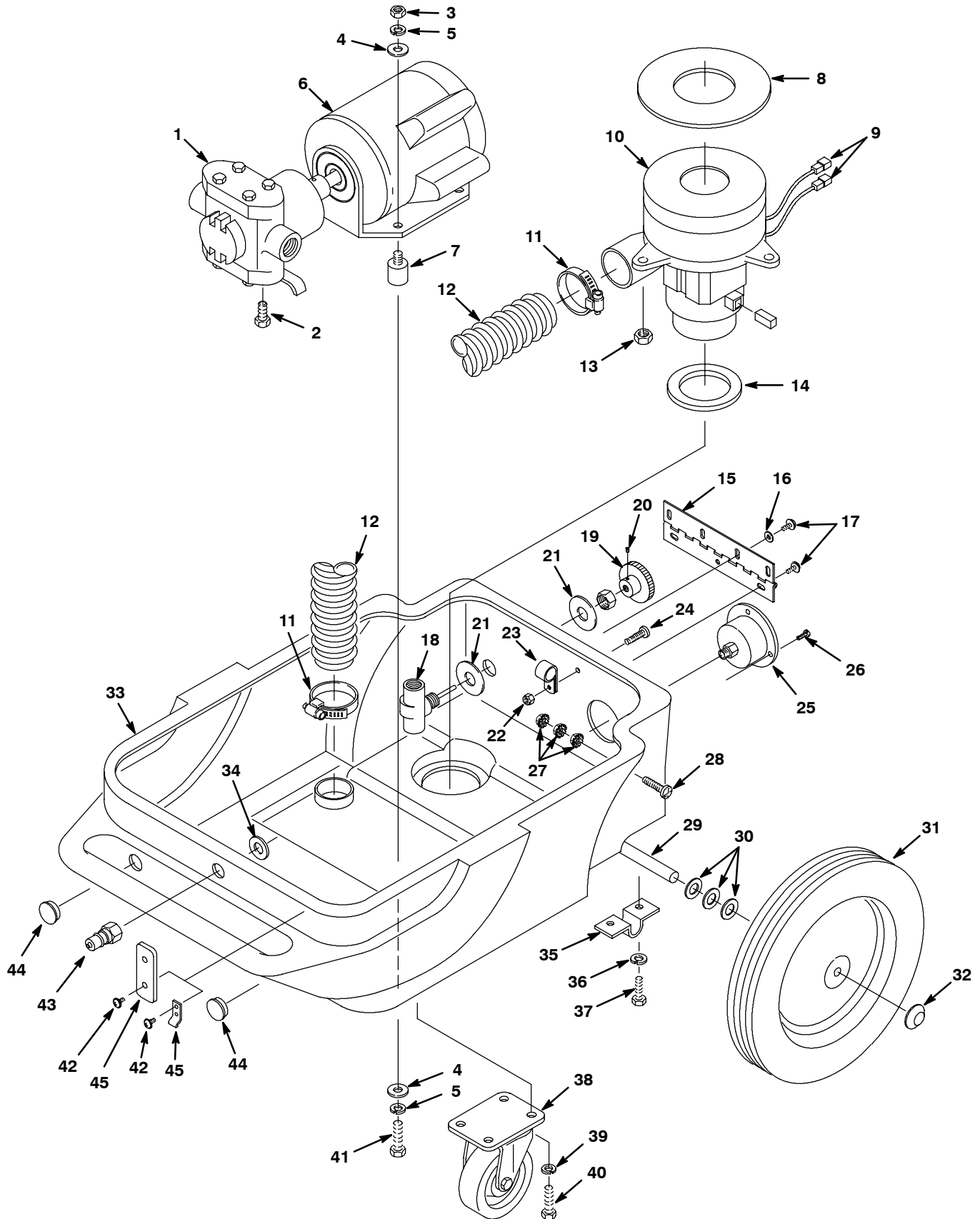
REF	PART #	DESCRIPTION	QTY.
▽	100103	COVER, ASSY. CLEAR LID W/ COUNTERSUNK HOLES	1
▲ 1	100109	LID, OUTER RING	1
▲ 2	100105	●LID, CENTER ONLY CLEAR	1
3	120190	DECAL, USE BLEEDER HOSE	1
4	120907	LABEL, IMPORTANT-ALWAYS...	1
5	140900	SCREW, TRS 10-24X0.75 PHL	6
6	140000	WASHER, 0.28B FLAT	6
7	602783	BLADDER	1
8	602448	STANDPIPE W/NIPPLE	1
9	180613	●FLOAT, SHUT-OFF (1) BALL	1
10	606088	FITTING, 1-1/2 NIPPLE	1
11	101714	GASKET, WASTE AIR CHAMBER	1
12	210240	NUT, FLANGED 1-1/2 FPT	1
13	100102	●CLEAR LID W/STANDARD HOLE	1
14	120907	LABEL, IMPORTANT-ALWAYS...	1
15	120906	LABEL, IMPORTANT-DRAIN...	1
16	140825	SCREW, #6X1/2 PANPHL	6
▽ 17	1007072	●HOSE, DRAIN ASSEMBLY 20.80"	1
▲▽18	1008639	●CAP, DRAIN ASSY	1
▲19	1008637	●O RING, 1.48" ID, 1.76" OD	1
▲20	1019563	●STRAP, DRAIN CAP	1
21	N/A	DRAIN ASSEMBLY - REPLACED BY ITEM #17	1
22	140713	RIVET, POP 3/16 X .575	1
23	230905	TUBE, INLET	1

REF	PART #	DESCRIPTION	QTY.
24	11531	CLAMP, HOSE, WORMDRIVE, 1.06-2.00D, .56W	1
25	608113	LABEL [TENNANT 1160]	2
26	607686	TANK, RECVY, RM-TL, TRIMMED (TEAL)	1
27	230845	PLATE, CORD CLAMP	1
28	140834	SCREW, .25-20X0.62 FLTPHL	1
29	140258	SCREW, 1/4-20X4-1/4 STUD	3
30	140134	SLEEVE, .376ODX.253IDX.28LG	2
31	230846	BRACKET, TANK SUPPORT	1
32	140000	WASHER, 0.28B FLAT	2
33	140016	WASHER, 0.25 LOCK	2
34	24672	SCREW, .25-20X0.75 HXHDCP	2
35	609980	SCREW, #8-32X3/8 TRSPHL SEMS (NON-CSA MODEL)	4
	609980	SCREW, #8-32X3/8 TRSPHL SEMS (CSA MODEL)	2
36	140259	SCREW, .25-20X0.62 HXHDCP	3
37	140016	WASHER, 0.25 LOCK	3
38	230946	BRACKET, TANK BRACE FRONT	1
39	120210	LABEL, LOGO, 04.75L, WHITE [TENNANT]	1
40	140932	●LATCH, RUBBER, W/ KEEPER (NON-CSA MODEL)	2
	610207	●STRAP, TANK (CSA MODEL)	2

- ▽ ASSEMBLY / CONJUNTO / ENSEMBLE
- ▲ INCLUDED IN ASSEMBLY / INCLUIDO A CONJUNTA / Y COMPRIS EN ENSEMBLE
- RECOMMENDED STOCK ITEM / PIEZAS RECOMENDADAS EN ALMACÉN / ÉLÉMENTS DE STOCK RECOMMANDÉS

PARTS LIST - LISTA DE PIEZAS - LISTE DES PIÈCES

LOWER HOUSING GROUP / GRUPO DEL BASTIDOR INFERIOR / PARTIE DU INFÉRIEURE



PARTS LIST - LISTA DE PIEZAS - LISTE DES PIÈCES

LOWER HOUSING GROUP / GRUPO DEL BASTIDOR INFERIOR / PARTIE DU INFÉRIEURE

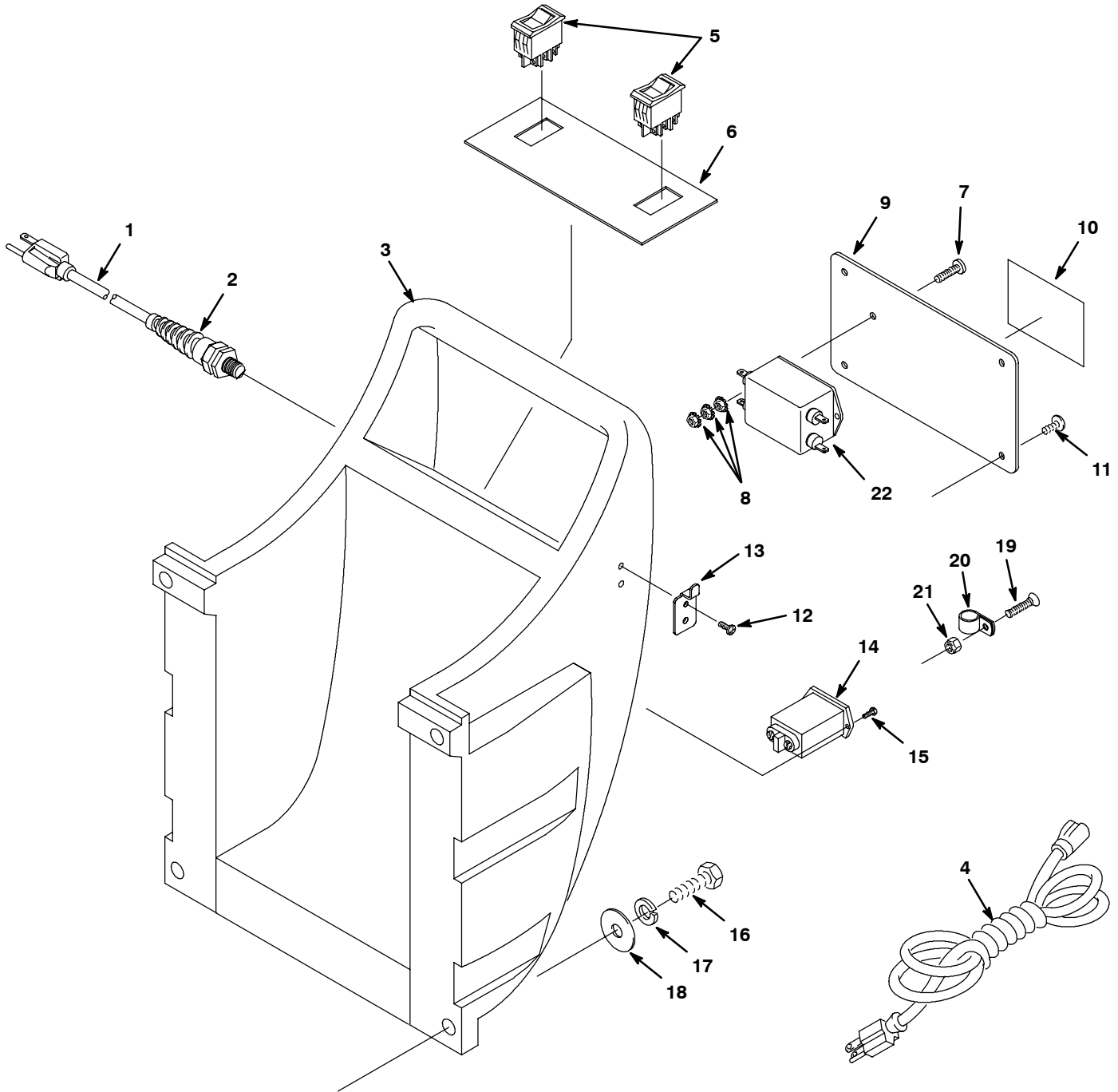
REF	PART #	DESCRIPTION	QTY.
1	9000579	●KIT, PUMP, TWIN PISTON (180100)	1
2	140823	SCREW, #10-24X0.62 TRSPHL	2
3	140506	NUT, 5/16-18 HEX	4
4	140027	WASHER, 0.31 FLAT	8
5	140015	WASHER, 0.31 SPLIT LOCK	8
6	130450	●MOTOR, PUMP DRIVE (120V)	1
	130453	MOTOR, PUMP DRIVE (220V/230V/240V)	1
7	130031	MOUNT, MOTOR 1-1/4 (120V)	4
	130030	MOUNT, MOTOR 3/4 (220V/230V/240V)	4
8	100118	●GASKET, VAC MTR 1/4 X 5.7D	1
9	130096	TERMINAL, ML DSCNT	2
∇ 10	130996	●MOTOR, VACUUM, 5.7INCH 3-STAGE (120V)	1
▲	602741	●BRUSH, CARBON 2/PK	1
▲	130486	●HOUSING, FAN	1
∇	130405	MOTOR, VAC 7.2/3 STAGE (220V/230V/240V)	1
▲	190157	BRUSH, CARBON 2/PK	1
▲	130485	●HOUSING, FAN	1
11	140308	CLAMP, HOSE 1-5/16 TO 2-1/4	2
12	160629	●HOSE, 2" X 28" WHITE	1
13	41169	NUT, .25-20 NYLOCK	3
14	102567	●GASKET, VAC MOTOR INTAKE	1
15	230390	HINGE, TANK	1
16	140000	WASHER, 0.28B FLAT	4
17	140885	SCREW, .25-20X.50 TRSPHL	7
∇ 18	210108	VALVE, PRESSURE CONTROL	1
▲ 19	210023	KNOB, NEEDLE VALVE	1
▲ 20	140894	SCREW, SCST CPPT 10-32X1/4	1
21	605385	WASHER, FLAT .69 ID X 1.50 OD	2
22	140552	NUT, #10-24 NYLCK	1

REF	PART #	DESCRIPTION	QTY.
23	140328	CLAMP, CABLE 3/8	1
24	140196	SCREW, #10-24X1 TRSPHL	1
25	606659	●GAUGE, PRESSURE 0-600 PSI	1
26	140825	SCREW, #6X1/2 PANPHL	3
27	140519	NUT, #10-24 KEP	3
28	140196	SCREW, #10-24X1 TRSPHL	1
29	608906	AXLE, 1/2 DIA X 18.352	1
30	140008	WASHER, 1/2 FLAT	6
31	103009	●WHEEL, 12" X 1.75 WHITE/GRAY	2
32	103019	CAP, HUB, WHEEL	2
33	607683	CHASSIS, HI PRESS, RM-TL, TRIMMED (TEAL)	1
34	140058	WASHER, .543X.875X.062 WAND	1
35	230746	BRACKET, AXLE, OFFSET	2
36	140016	WASHER, 0.25 LOCK	4
37	140259	SCREW, .25-20X0.62 HXHDCP	4
38	103065	●CASTER, 4" SWIVEL	2
39	140016	WASHER, 0.25 LOCK	8
40	140259	SCREW, .25-20X0.62 HXHDCP	8
41	02991	SCREW, .31-18X0.75 HXHDCP	4
42	609980	SCREW, #8-32X3/8 TRSPHL SEMS (NON-CSA MODEL)	4
	609980	SCREW, #8-32X3/8 TRSPHL SEMS (CSA MODEL)	2
43	150933	●FITTING, QDC/04PM, SER 60	1
44	130284	PLUG, DOME 1.00	2
45	140932	●KEEPER (PART OF LATCH NON-CSA MODEL)	2
	610207	●STRAP, TANK (CSA MODEL)	2

- ∇ ASSEMBLY / CONJUNTO / ENSEMBLE
- ▲ INCLUDED IN ASSEMBLY / INCLUIDO A CONJUNTA / Y COMPRIS EN ENSEMBLE
- RECOMMENDED STOCK ITEM / PIEZAS RECOMENDADAS EN ALMACÉN / ÉLÉMENTS DE STOCK RECOMMANDÉS

PARTS LIST - LISTA DE PIEZAS - LISTE DES PIÈCES

HANDLE GROUP / GRUPO DEL MANGO / GROUPE POIGNEE



PARTS LIST - LISTA DE PIEZAS - LISTE DES PIÈCES

HANDLE GROUP / GRUPO DEL MANGO / GROUPE POIGNEE

REF	PART #	DESCRIPTION	QTY.
1	130227	●CORD, 14/3 X 20" YELLOW (120V)	1
	600324	●CORD, 3X1.5MM2X15M BLK (220V/230V)	1
	1038777	●CORD, POWER, ELE, 1.0 MM X 15 M BLK [AUS] (240V EMC MODEL)	1
2	130166	●CORD GRIP, NYLON/BLK W/NUT (120V)	1
	130167	●CORD GRIP, NYLON/BLK W/NUT (220V/230V/240V)	1
3	607688	HANDLE, RM-TL, TRIMMED [1500HP] (TEAL)	1
4	130694	●CORD, EXT 14/3X25' YELLOW (120V ONLY)	1
5	608605AM	●SWITCH, ROCKER, 250VAC, 10A	2
6	120188	DECAL, DASH	1
7	140900	SCREW, TRS 10-24X0.75 PHL	1
8	140519	NUT, #10-24 KEP	3
▽ 9	614121	ASSEMBLY, PLATE W/ LABEL	1
▲ 10	1026384	LABEL, WARNING [EXPL,FIRE,SHK EN/FR/ES]	1

REF	PART #	DESCRIPTION	QTY.
11	140197	SCREW, #10-24X0.38 TRSPHL, SEM	4
12	140825	SCREW, #6X1/2 PANPHL	2
13	1006890	BRACKET, DRAIN HOSE HANGER	1
14	1026236	●METER, HOUR (120V)	1
	604745	METER, HOUR (220V/230V/240V)	1
15	140825	SCREW, #6X1/2 PANPHL	2
16	140231	SCREW, .38-16X1.50 HXHDCP	4
17	140017	WASHER, 3/8 LOCK	4
18	140028	WASHER, 0.42B 1.00D FLAT	4
19	15858.12	SCREW, #10-24X3/4 FLTPHL	1
20	140328	CLAMP, CABLE 3/8	1
21	140552	NUT, #10-24 NYLOCK	1
22	613099	FILTER (240V EMC ONLY)	1

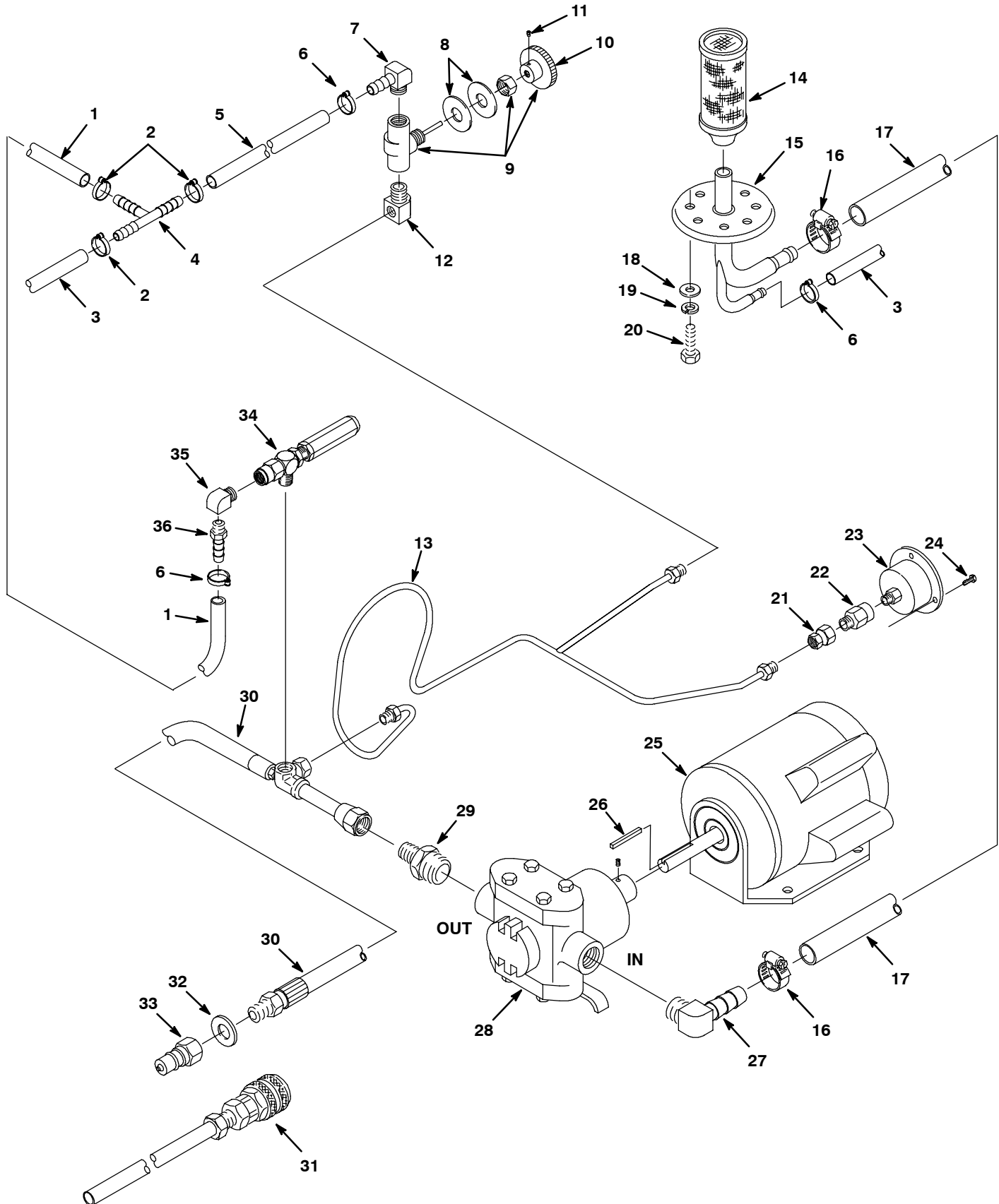
▽ ASSEMBLY / CONJUNTO / ENSEMBLE

▲ INCLUDED IN ASSEMBLY / INCLUIDO A CONJUNTA / Y COMPRIS EN ENSEMBLE

● RECOMMENDED STOCK ITEM / PIEZAS RECOMENDADAS EN ALMACÉN / ÉLÉMENTS DE STOCK RECOMMANDÉS

PARTS LIST - LISTA DE PIEZAS - LISTE DES PIÈCES

PLUMBING GROUP / GRUPO DE TUBERÍAS / GROUPE DE TUYAUTERIE



PARTS LIST - LISTA DE PIEZAS - LISTE DES PIÈCES

PLUMBING GROUP / GRUPO DE TUBERÍAS / GROUPE DE TUYAUTERIE

REF	PART #	DESCRIPTION	QTY.
1	613428	HOSE, 1/4ID X 6 IN. GRAY L.P.	1
2	140325	CLAMP, HOSE, EAR 1/2"	3
3	613436	HOSE, 1/4ID X 29 IN. GRAY L.P.	1
4	150713	FITTING, 1/4H TEE, BARB	1
5	613433	HOSE, 1/4ID X 21 IN. GRAY L.P.	1
6	140325	CLAMP, HOSE, EAR 1/2"	3
7	150418	FITTING, 1/4MX1/4H BARB 90	1
8	605385	WASHER, FLAT .687 ID X 1.50 OD	2
▽ 9	210108	●VALVE, PRESS CNTRL W/NUT	1
▲ 10	210023	●KNOB, NEEDLE VALVE	1
▲ 11	140894	●SCREW, SCST CPPT #10-32X1/4	1
12	606987	FITTING, E90, PM04/IF04	1
13	611414	ASSEMBLY, PRESSURE TUBE	1
14	603186	●FILTER, SCREEN, 60 MESH	1
15	600452	PLATE, BLADDER ASM	1
16	54333	CLAMP, HOSE, WORM, 0.31-0.88D	2
17	603051	HOSE, 29" LONG REINFORCED	1
18	140000	WASHER, 0.28B FLAT	4
19	140016	WASHER, 0.25 LOCK	4
20	24672	SCREW, .25-20X0.75 HXHD	4

REF	PART #	DESCRIPTION	QTY.
21	606665	FITTING, GAUGE ADAPTER	1
22	606660	●FITTING, 1/4"NPT GAUGE SNUBBER	1
23	606659	●GAUGE, PRESSURE 0-600 PSI	1
24	140825	SCREW, #6X1/2 PANPHL	3
25	130450	●MOTOR, PUMP DRIVE (120V)	1
	130453	MOTOR, PUMP DRIVE (220V/230V/240V)	1
26	190310	●PUMP, SHAFT KEY 5300 SERIES	1
27	150431	FITTING, 1/2MX1/2H ELBOW 90	1
28	9000579	●KIT, PUMP, TWIN PISTON (180100)	1
29	611417	FITTING, REDUCER	1
30	1021213	●HOSE ASM, HIGH PRESSURE	1
31	700141	●HOSE, SOLUTION BLEEDER	1
32	140058	WASHER, .543X.875X.062 WAND	1
33	150933	●FITTING, QDC/04PM, SER 60	1
34	210211	VALVE, PRESSURE RELIEF	1
35	150407	FITTING, 1/8FX1/8M ELBOW 90 ST	1
36	150525	FITTING, 1/8MX1/4H BARB	1

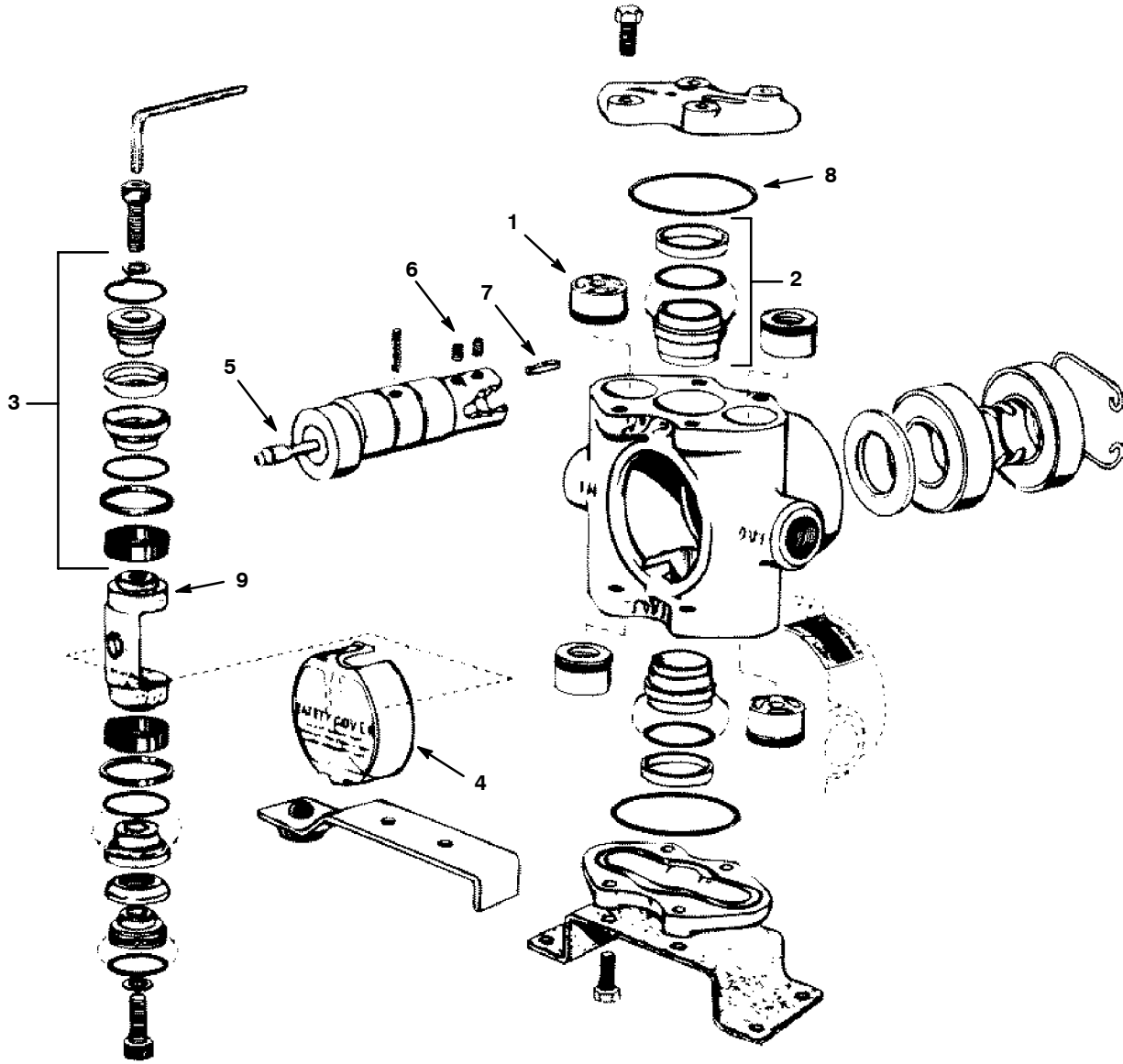
▽ ASSEMBLY / CONJUNTO / ENSEMBLE

▲ INCLUDED IN ASSEMBLY / INCLUIDO A CONJUNTA / Y COMPRIS EN ENSEMBLE

● RECOMMENDED STOCK ITEM / PIEZAS RECOMENDADAS EN ALMACÉN / ÉLÉMENTS DE STOCK RECOMMANDÉS

PARTS LIST - LISTA DE PIEZAS - LISTE DES PIÈCES

PUMP BREAKDOWN / CLASIFICACIÓN DE LA BOMBA / ENSEMBLE DE LA BROSSE



REF	PART #	DESCRIPTION	QTY.
▽	9000579	●KIT, PUMP, TWIN PISTON (180100)	1
▲	1	●KIT, VALVE	1
▲	2	●KIT, CYLINDER SLEEVE	1
▲	3	●KIT, CUP	1
▲	4	SAFETY COVER, PUMP	1
▲	5	GREASE FITTING, TWIN PISTON	1
▲	6	SET SCREWS, PUMP	2

REF	PART #	DESCRIPTION	QTY.
▲	7	●SHAFT KEY, PUMP	1
▲	8	●SEAL, O-RING, CYLINDER HEAD	1
▲	9	CONNECTING ROD, TWIN PISTON	1
▲	N/S	●PULLER, VALVE SPRING RETAINER	1
▲	N/S	●PULLER, VALVE, POPPET SEAT	1
N/S	190022	●GUN, GREASE (METAL)	1

▽ ASSEMBLY / CONJUNTO / ENSEMBLE

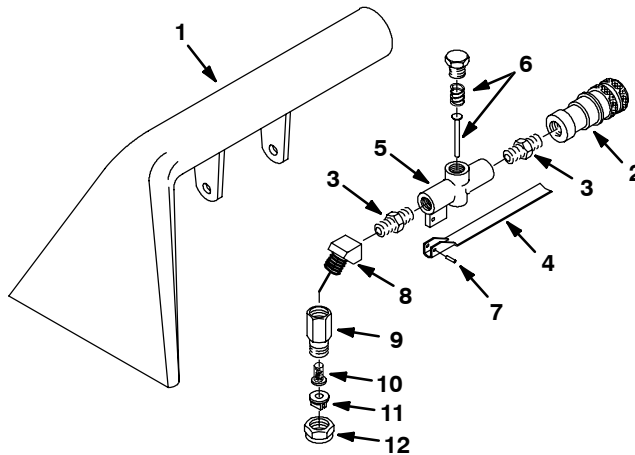
▲ INCLUDED IN ASSEMBLY / INCLUIDO A CONJUNTA / Y COMPRIS EN ENSEMBLE

● RECOMMENDED STOCK ITEM / PIEZAS RECOMENDADAS EN ALMACÉN / ÉLÉMENTS DE STOCK RECOMMANDÉS

N/S = NOT SHOWN / NO INDICADO / NON MONTRÉ

OPTIONS - OPCIONES - ÉQUIPEMENT AU CHOIX

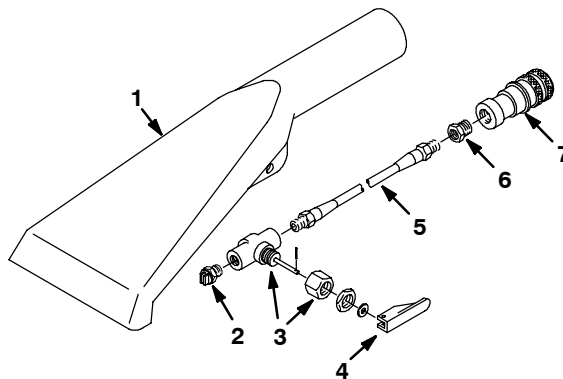
HAND TOOL, 5 in / 127 mm / HERRAMIENTA MANUAL / OUTIL A MAIN



REF	PART #	DESCRIPTION	QTY.
∇	200505	●TOOL, HAND 127MM (5 IN.)	1
▲ 1	200431.BK	TOOL, HAND	1
▲ 2	150913	●FITTING, QDC PF04 FEM	1
▲ 3	150606	NIPPLE, HEX 1/4	2
▲ 4	200905	TRIGGER, HAND TOOL	1
▲ 5	210210	●VALVE, FLOW CONTROL	1
▲ 6	190600	VALVE PIN & SPRING	1

REF	PART #	DESCRIPTION	QTY.
▲ 7	140609	PIN, ROLL 3/16	1
▲ 8	150403	ELBOW, ST 1/4 45°	1
▲ 9	200992	BODY, SPRAY 1/4F	1
▲ 10	200996	SCREEN, SPRAY NOZZLE	1
▲ 11	200965	●TIP, SPRAY #8002	1
▲ 12	200994	CAP, SPRAY BODY	1

CREVICE TOOL, 3 in / 76 mm / HERRAMIENTA MANUAL, HENDIDURAS / OUTIL POUR FISSURES



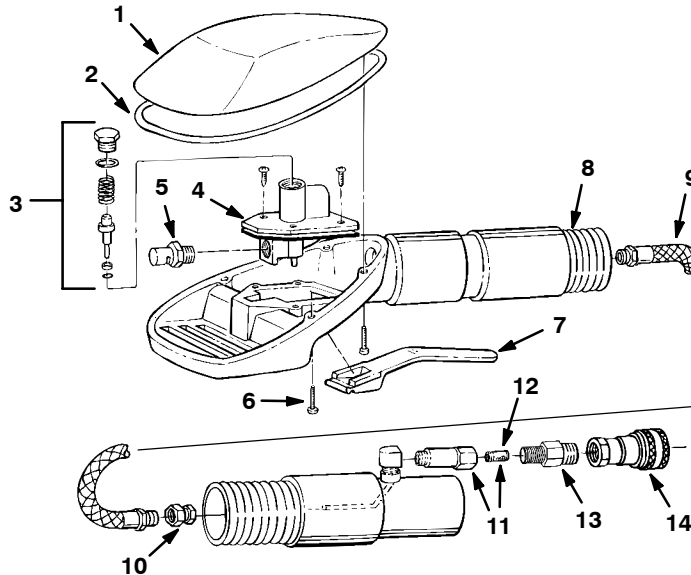
REF	PART #	DESCRIPTION	QTY.
∇	200517	●TOOL, CREVICE SERIES 60	1
▲ 1	200436.BK	TOOL, CREVICE	1
▲ 2	200975	●FITTING JET #5002	1
▲ 3	210014	●VALVE, TOGGLE W/NUT	1

REF	PART #	DESCRIPTION	QTY.
▲ 4	210020	POSITIONER, VALVE HANDLE	1
▲ 5	160106	HOSE, SOLUTION	1
▲ 6	150100	FITTING, 1/4MX1/8F BUSHING	1
▲ 7	150913	●FITTING, 1/4F, QD FML COUPLER	1

- ∇ ASSEMBLY / CONJUNTO / ENSEMBLE
- ▲ INCLUDED IN ASSEMBLY / INCLUIDO A CONJUNTA / Y COMPRIS EN ENSEMBLE
- RECOMMENDED STOCK ITEM / PIEZAS RECOMENDADAS EN ALMACÉN / ÉLÉMENTS DE STOCK RECOMMANDÉS

OPTIONS - OPCIONES - ÉQUIPEMENT AU CHOIX

HAND TOOL, UPHOLSTERY HIGH PRESSURE / HERRAMIENTA MANUAL, ALTA PRESION / OUTIL À MAIN À BASSE, HAUTE PRESION



REF	PART #	DESCRIPTION	QTY.
▽	200545	●ASM., TOOL, UPHOLSTERY, SER 60	1
▲ 1	200845	COVER, UPHOLSTERY TOOL	1
▲ 2	200843	GASKET, COVER	1
▲ 3	190631	●KIT, SERVICE (VALVE ASM.)	1
▲ 4	210226	●VALVE, WATER/SOLUTION, LP	1
▲ 5	201016	●FITTING, JET, 1/8K	1
▲ 6	200838	SCREW, #6-32X0.75	4
▲ 7	200840	TRIGGER, UPHOLSTERY TOOL	1

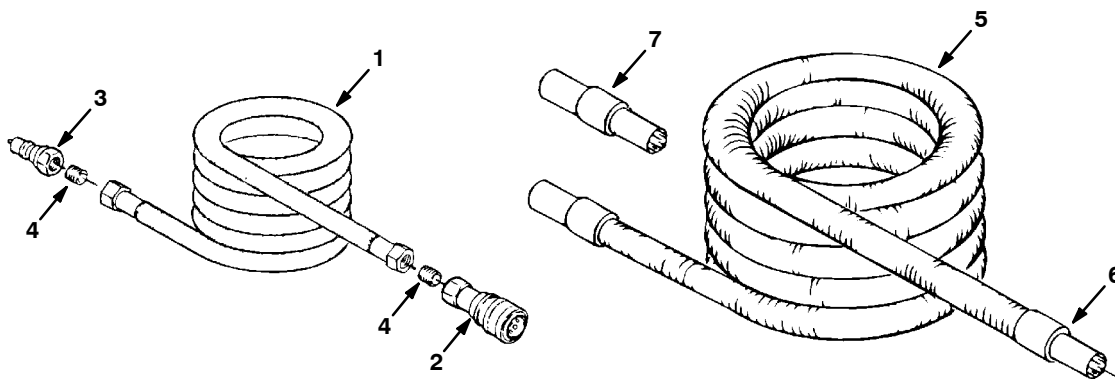
REF	PART #	DESCRIPTION	QTY.
▲ 8	200844	●HOSE, VACUUM W/O CUFFS	1
▲ 9	200837	●HOSE, SOLUTION	1
▲ 10	200848	FITTING, BRS (3 PCS.)	1
▲ 11	200842	FILTER, INLINE, COMPLETE	1
▲ 12	200841	SCREEN ONLY, INLINE FILTER	1
▲ 13	150606	FITTING, BRS, STR, PM04 X 1.38 HX NIP.	1
▲ 14	150913	●FITTING, QDC PF04 SER 60	1

▽ ASSEMBLY / CONJUNTO / ENSEMBLE

▲ INCLUDED IN ASSEMBLY / INCLUIDO A CONJUNTA / Y COMPRIS EN ENSEMBLE

● RECOMMENDED STOCK ITEM / PIEZAS RECOMENDADAS EN ALMACÉN / ÉLÉMENTS DE STOCK RECOMMANDÉS

SOLUTION AND VACUUM HOSES GROUP / MANGUERAS DE DISOLUCIÓN Y ASPIRACIÓN / TUYAUX DE SOLUTION ET D'EXTRACTION



REF	PART #	DESCRIPTION	QTY.
∇ 1	160185	HOSE, SOLUTION 3/8X4.6M/15' (OPTIONAL)	1
	610792	HOSE, SOLUTION 1/4X7.6M/25' (STANDARD)	1
	160192	HOSE, SOLUTION 1/4X15.2M/50' (OPTIONAL)	1
▲ 2	150913	●FITTING, BRS, QDC, PF04, SER60	1
▲ 3	150933	FITTING, BRS, QDC, PM04, SER60	1
▲ 4	150615	FITTING, BRS, STR, PM04, CLOSE, T	2

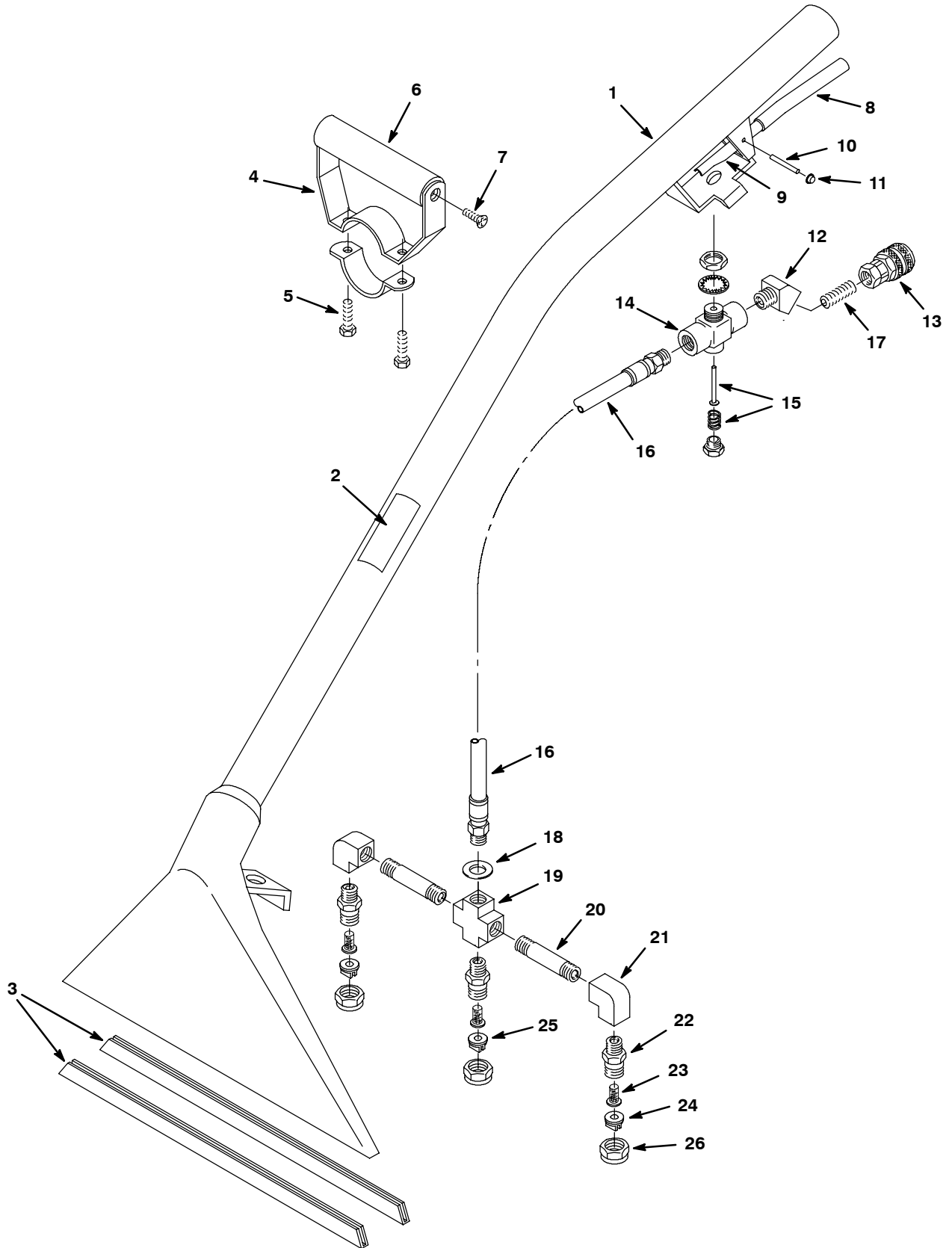
REF	PART #	DESCRIPTION	QTY.
∇ 5	160400	HOSE, VACUUM 1-1/2X4.6M/15' (OPTIONAL)	1
	160401	HOSE, VACUUM 1-1/2X7.6M/25' (STANDARD)	1
	160402	HOSE, VACUUM 1-1/2X15.2M50' (OPTIONAL)	1
▲ 6	160430	●CUFF, HOSE 1-1/2"	2
	7	●CONNECTOR, VAC HOSE 1-1/2"	1
N/S	220040	●BAG, HOSE W/DRAW STRING (OPTIONAL)	1

∇ ASSEMBLY / CONJUNTO / ENSEMBLE

▲ INCLUDED IN ASSEMBLY / INCLUIDO A CONJUNTA / Y COMPRIS EN ENSEMBLE

● RECOMMENDED STOCK ITEM / PIEZAS RECOMENDADAS EN ALMACÉN / ÉLÉMENTS DE STOCK RECOMMANDÉS

WAND GROUP, HIGH PRESSURE, 13 in / 330 mm /
HERRAMIENTA DE PISO, ALTA PRESION / GROUPE OUTIL, HAUTE PRESSION



OPTIONS - OPCIONES - ÉQUIPEMENT AU CHOIX

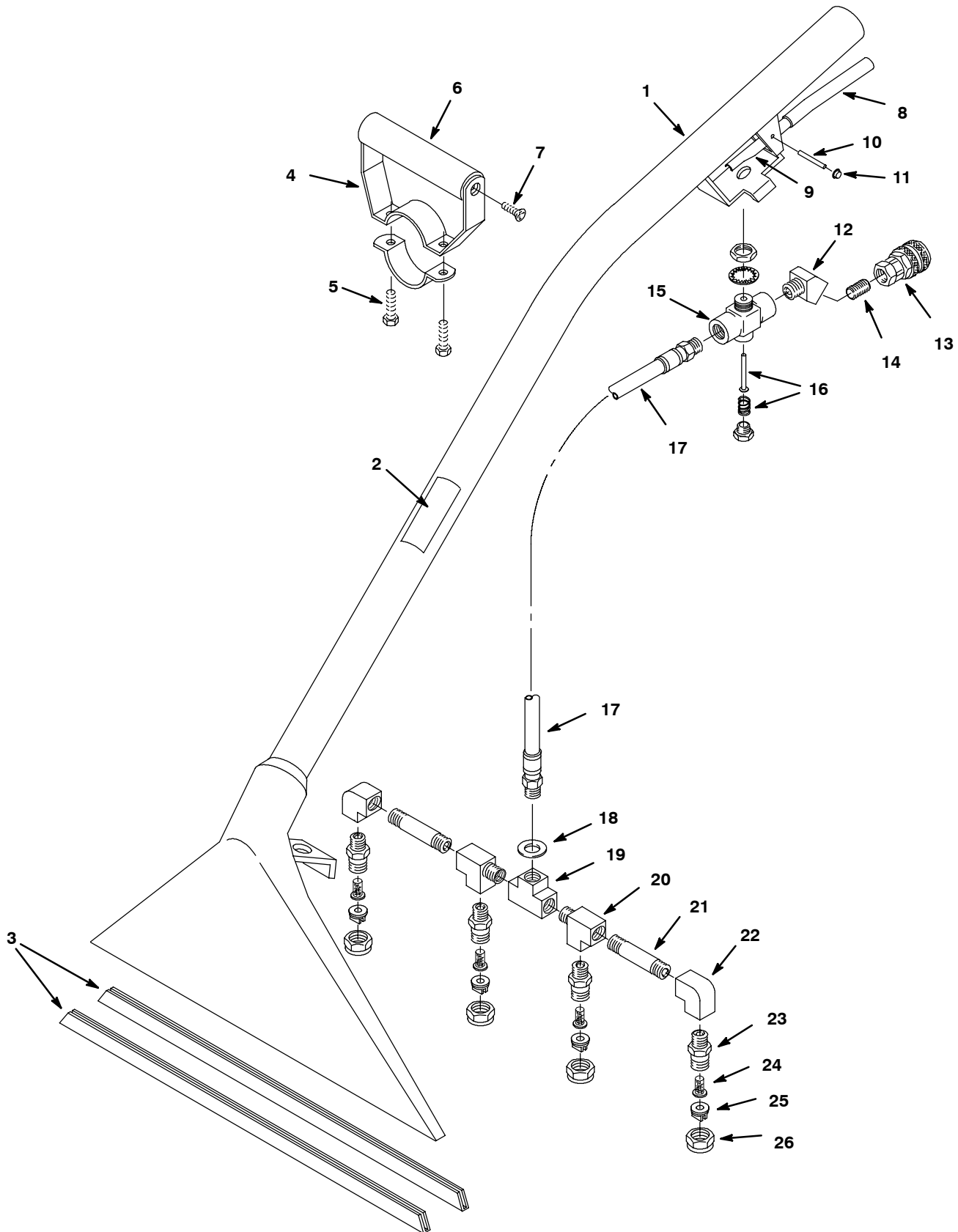
WAND GROUP, HIGH PRESSURE, 13 in / 330 mm / HERRAMIENTA DE PISO, ALTA PRESION / GROUPE OUTIL, HAUTE PRESSION

REF	PART #	DESCRIPTION	QTY.
▽	600049	●ASM., FLOOR TOOL, 330MM (13IN.)	1
▲ 1	200403.BK	TOOL, FLOOR, BLACK	1
▲ 2	120845	DECAL, HIGH PRESSURE TOOL	1
▲ 3	200939	●SHOE, 330MM (13 IN.) FLR TOOL	2
▲▽ 4	200927AM	GRIP, HAND, ADJ. COMPLETE	1
▲ 5	140259	SCREW, 1/4-20X5/8 HEXHD	2
▲ 6	200912	GRIP, HANDLE FOAM	1
▲ 7	140834	SCREW, 1/4-20X5/8 FLTPHL	2
▲ 8	200809	SLEEVE, HANDLE	1
▲ 9	200902	HANDLE, VALVE	1
▲ 10	140605	PIN, HANDLE	1
▲ 11	140520	NUT, 1/4 PUSH	2
▲ 12	150403	FITTING, E45 04PM/04PF	1
▲ 13	150913	●FITTING, QDC PF04 SER. 60	1
▲▽ 14	210150	●VALVE, FLOW CONTROL	1

REF	PART #	DESCRIPTION	QTY.
▲15	190603	●KIT, VALVE PIN AND SPRING	1
▲ 16	160175	WAND HOSE ASSEMBLY, 46-1/2	1
▲ 17	150615	FITTING, 04PM CLOSE	1
▲ 18	140058	WASHER, .543X.875X.062	1
▲▽	700062	ASM., SPRAY BAR, 12 IN. W/O TIPS	1
▲19	150700	CROSS, 1/4 FPTXFPTXFPTXFPT	1
▲20	150600	FITTING, 1/4MX2" NIPPLE	2
▲21	150401	FITTING, E90 04PF/04PF	2
▲22	200993	SPRAY BODY, 1/4 MALE	3
▲ 23	200996	●FILTER, SCREEN, 100 MESH	3
▲ 24	200986	●FITTING, TIP 9502	2
▲ 25	200988	●FITTING, TIP 11002	1
▲ 26	200994	●CAP, NOZZLE, SPRAY #8002	3
N/S	200170	SQUEEGEE ASSY, 380MM/15.0, COMPLT (FOR USE ON HARD FLOOR SURFACES)	1

- ▽ ASSEMBLY / CONJUNTO / ENSEMBLE
- ▲ INCLUDED IN ASSEMBLY / INCLUIDO A CONJUNTA / Y COMPRIS EN ENSEMBLE
- RECOMMENDED STOCK ITEM / PIEZAS RECOMENDADAS EN ALMACÉN / ÉLÉMENTS DE STOCK RECOMMANDÉS

WAND GROUP, HIGH PRESSURE, 16 in / 406 mm /
HERRAMIENTA DE PISO, ALTA PRESION / GROUPE OUTIL, HAUTE PRESSION



OPTIONS - OPCIONES - ÉQUIPEMENT AU CHOIX

WAND GROUP, HIGH PRESSURE, 16 in / 406 mm / HERRAMIENTA DE PISO, ALTA PRESION / GROUPE OUTIL, HAUTE PRESSION

REF	PART #	DESCRIPTION	QTY.
▽	200513	●ASM., FLOOR TOOL, 406MM (16 IN.)	1
▲ 1	200411.BK	TOOL, FLOOR, BLACK	1
▲ 2	120845	DECAL, HIGH PRESSURE TOOL	1
▲ 3	200956	●SHOE, 406MM (16 IN.) FLR TOOL	2
▲▽ 4	200927AM	GRIP, HAND, ADJ. COMPLETE	1
▲ 5	140259	SCREW, 1/4-20X5/8 HEXHD	2
▲ 6	200912	GRIP, HANDLE FOAM	1
▲ 7	140834	SCREW, 1/4-20X5/8 FLTPHL	2
▲ 8	200809	SLEEVE, HANDLE	1
▲ 9	200902	HANDLE, VALVE	1
▲ 10	140605	PIN, HANDLE	1
▲ 11	140520	NUT, 1/4 PUSH	2
▲ 12	150403	FITTING, E45 04PM/04PF	1
▲ 13	150913	●FITTING, QDC PF04 SER. 60	1

REF	PART #	DESCRIPTION	QTY.
▲ 14	150615	FITTING, 04PM CLOSE	1
▲▽ 15	210150	●VALVE, FLOW CONTROL	1
▲ 16	190603	●KIT, VALVE PIN AND SPRING	1
▲ 17	160175	WAND HOSE ASSEMBLY, 46-1/2	1
▲ 18	140058	WASHER, .543X.875X.062	1
▲▽	700656	ASM., SPRAY BAR, 16 IN. W/O TIPS	1
▲ 19	150706	FITTING, 1/4F TEE	1
▲ 20	150709	FITTING, TEE, 04PM/04PF/04PF	2
▲ 21	150600	FITTING, 1/4MX2" NIPPLE	2
▲ 22	150401	FITTING, E90 04PF/04PF	2
▲ 23	200993	SPRAY BODY, 1/4 MALE	4
▲ 24	200996	●FILTER, SCREEN, 100 MESH	4
▲ 25	200985	●FITTING, TIP 95015	4
▲ 26	200994	●CAP, NOZZLE, SPRAY #8002	4

- ▽ ASSEMBLY / CONJUNTO / ENSEMBLE
- ▲ INCLUDED IN ASSEMBLY / INCLUIDO A CONJUNTA / Y COMPRIS EN ENSEMBLE
- RECOMMENDED STOCK ITEM / PIEZAS RECOMENDADAS EN ALMACÉN / ÉLÉMENTS DE STOCK RECOMMANDÉS